

Proximity long range reader

System specifications

Cable Length	5m/16ft	
Cable extension length and type	≤ 25m/82ft ≤ 100m/328ft	Belden 9538/ Belden 5506FE (USA) Belden 9540/ Belden 5306FE (USA)
Token compatibility	Paxton EM	
Handsfree compatible	Yes	
Handsfree read range	Up to 5000 mm*	

* All read ranges are maximum distances. Radio products can be affected by site conditions, this means that these distances are not achieved in all cases.

Electrical

Operating Voltage	10V - 14V DC
Current consumption	1.1A

Environment

Operating Temperature	-35°C - +66°C -31°F - +151°F
Moisture resistance	IP66
Vandal Resistance	Medium



The proximity long range readers are RFID devices that offer the convenience of contactless authentication for system users.

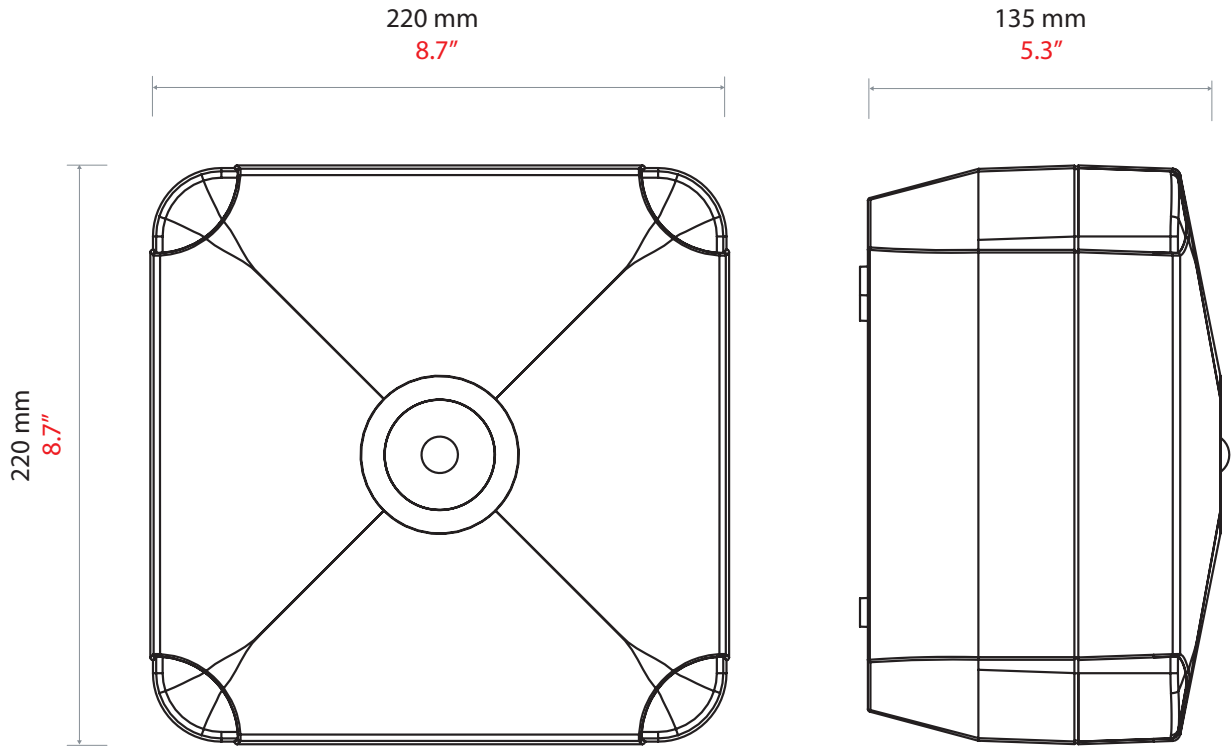
They are available for use with both Switch2 and Net2 systems

The reader is wired as shown on the control unit label.

A token is read by holding it within close proximity of the reader.

Once a token has been read the control unit looks up the access permissions of that user. The control unit verifies the information and grants or denies access as appropriate.

By default, all the reader LEDs state is Red. If access is granted, the reader flashes Green. If access is denied, the reader flashes Red! An audible tone is emitted in both cases.



Accessories and sales codes

Proximity long range reader

313-110

