

# Net2 - I/O board

## Overview

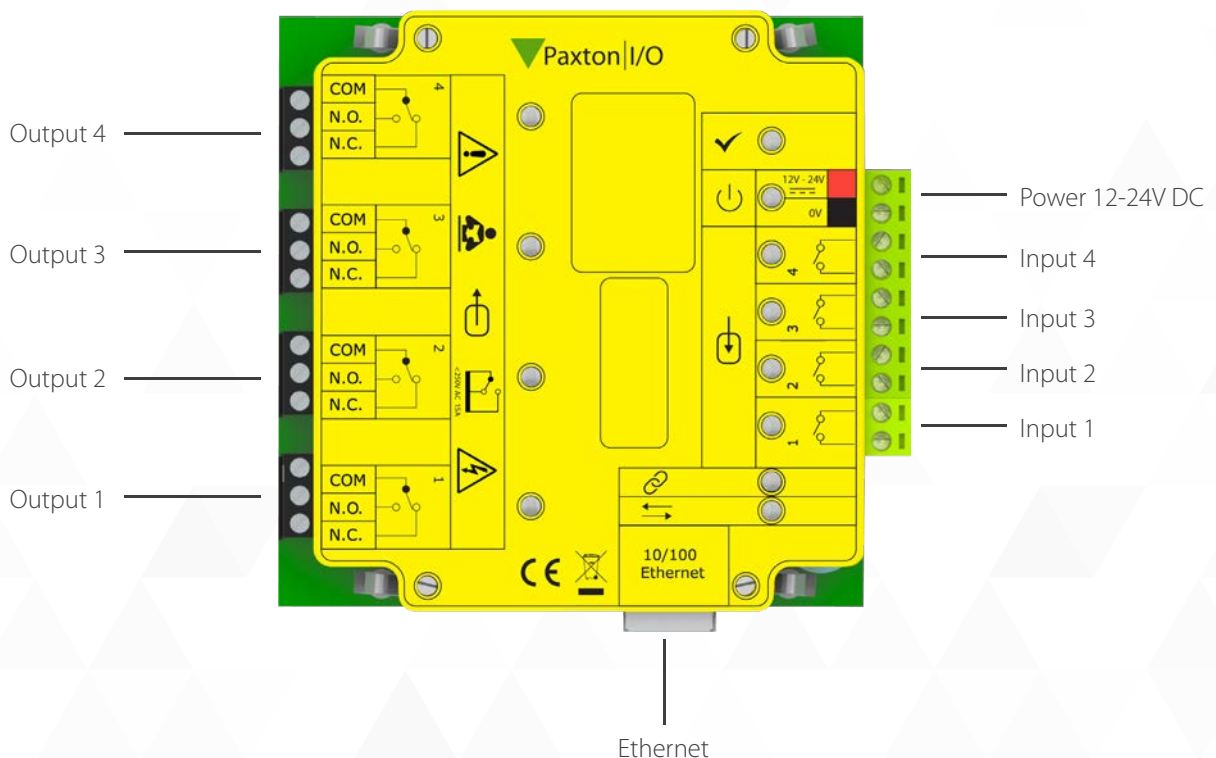
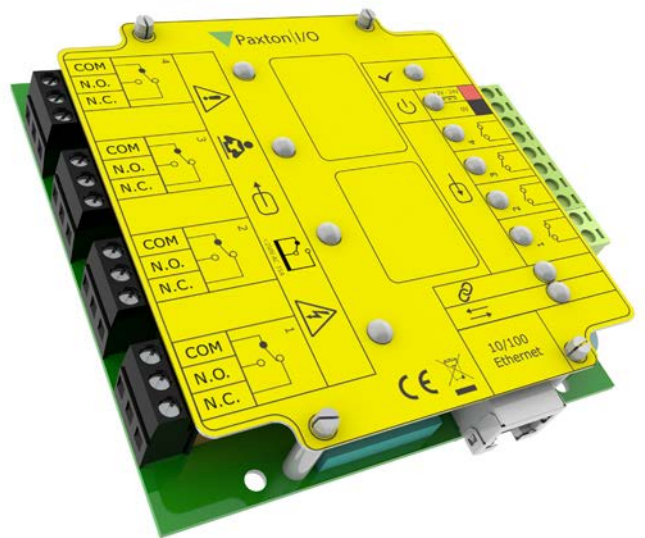
The Net2 I/O board is simple, yet powerful addition to the Net2 system. It can be wired alongside a Net2 door controller, to switch power on and off to electrical equipment to save money and energy. The board can control lighting, heating, water and air conditioning by using the triggers and actions application in the Net2 software. These actions can be programmed for a particular time, or in response to a specific Net2 event.

The Net2 I/O board consists of 4 inputs and 4 outputs. It connects directly to a LAN/WAN via an onboard RJ45 connector and can be distributed around a building as required. The I/O board can be supplied as PCB only, in a plastic housing or mounted within a 2A boxed plastic mains monitored backup power supply.

Please note, I/O boards work as part of the Net2 system. They are not door controllers.

## Features

- Four inputs
- Four outputs
- Lighting monitoring and control
- Heating monitoring and control
- Air conditioning monitoring and control
- Clear intuitive labelling



# Specifications



## Electrical

Operating Voltage	10V - 24V DC
Current consumption	400mA
Relay contact current rating	15A
Relay contact isolation	4kV AC
Relay contact voltage	240V AC
Relay contact frequency	50Hz



## Communication

TCP/IP	Yes (Maximum 200 including other ethernet devices - Net2 Plus, I/O Boards)
Wireless	No
RS485	No
Ethernet network speed	100Mbit/s auto MDIX
Ethernet bandwidth requirement	24V DC
DHCP support (fixed IP recommended)	Yes



## Environment

Operating temperature	-20°C - +55°C -4°F - +131°F
Moisture resistance	No - if used externally, it must be protected in a weatherproof housing
Vandal Resistance	Low



## Accessories and Sales codes

Net2 - I/O board	489-710-EX	Net2 - I/O board with Plastic housing	385-710-EX
Net2 - I/O board, 12V 2A PSU with Plastic cabinet	411-623-EX		



## Dimensions

