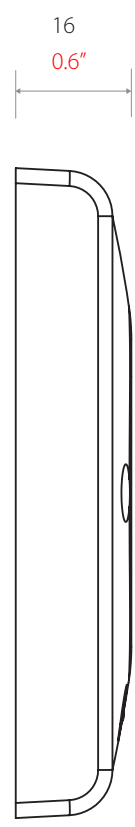
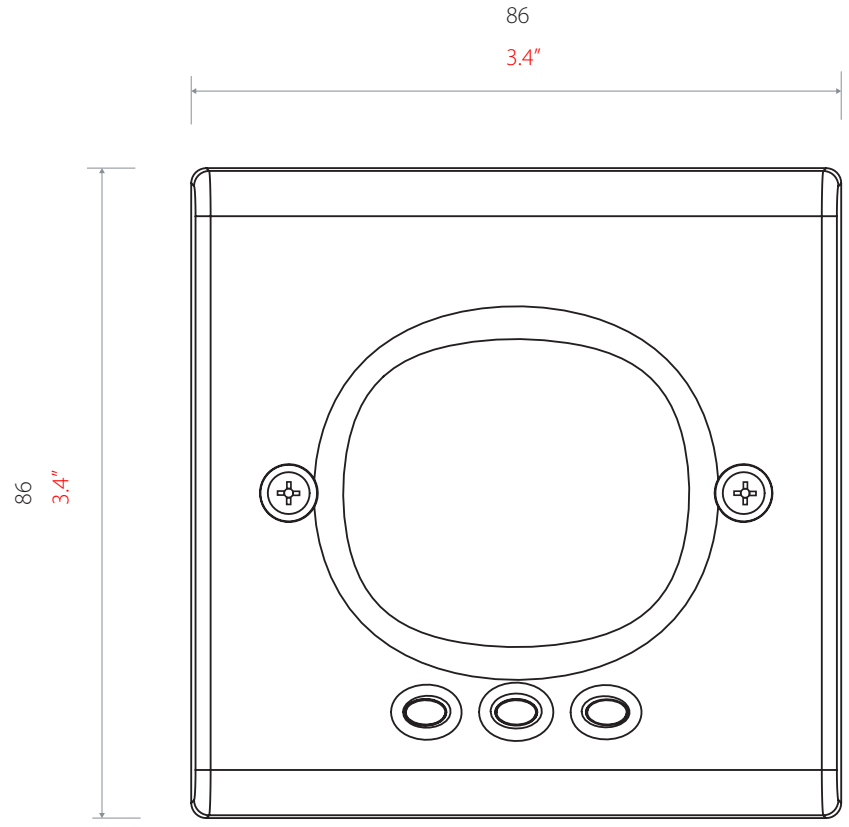


1	2	3	4	5	6	7	8	9	10	11	12
REV.	DESCRIPTION		DATE								



PROPRIETARY AND CONFIDENTIAL
 THE INFORMATION CONTAINED IN THIS DRAWING IS THE SOLE PROPERTY OF
 PAXTON ACCESS LTD.
 ANY REPRODUCTION IN PART OR AS A WHOLE WITHOUT THE EXPRESS PERMISSION OF
 PAXTON ACCESS LTD IS PROHIBITED.

©2014

Please note: Check the correct scale of print-outs as your printer may cause inaccuracies

 <small>Paxton House, Home Farm Road, Brighton, United Kingdom BN1 9BJ +44 1273 811011</small>	DWG NO:	Issue A
	MATERIAL SPECIFICATION: <small>DEFINED BY PAXTON ACCESS MATERIAL SPECIFICATION DOCUMENT</small>	
mm inches	UNLESS OTHERWISE SPECIFIED: X = ± 0.500000 X.X = ± 0.200000 X.XX = ± 0.100000 ANGULAR TOL: ±1°	TITLE: PROXIMITY backbox reader scale drawing DRAWN: M.Lilley SCALE: 1:1
		SHEET 1 OF 1