

What is Hands Free?

The system comprises of a Hands Free Interface, a compatible reader (see specification table) and hands free keycards or keyfobs. The system operates by using the field being transmitted by the P series reader to wake up the token. This then communicates with the interface which contains a long range receiver.

The keycard increases this effective read range to typically 5 yds (maximum 50 yds). This is achieved by activating the system manually instead of using the reader field (maximum 8 feet)

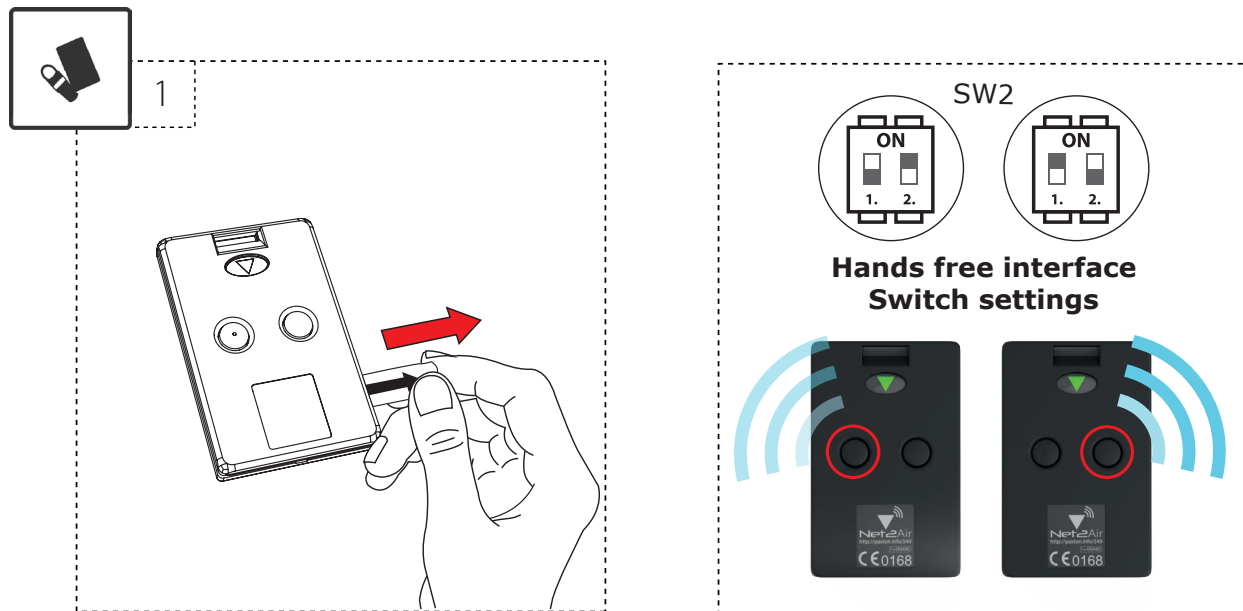
Keycards also include a standard EM4100 proximity ID chip and can therefore be presented to any compatible proximity reader whether they are using the Hands Free interface or not.

The keycard has been designed with features to maximise battery life. These include a two second timeout once access has been granted and the prevention of repeated access requests whilst the keyfob remains in same reader field. Heavy usage or leaving the keycard within range of a reader will reduce battery life.

Interface Settings

To enable the buttons, the keycard must first be presented to the P series reader and then used in hands free mode. The keycard stores the details of this interface and can then activate the door using a button.

It can still be used in normal hands free mode and also in local passive mode with other standard readers.

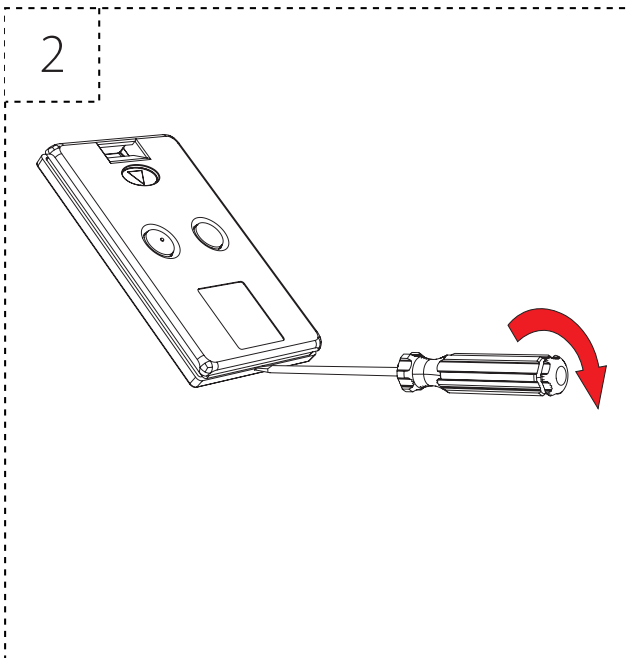
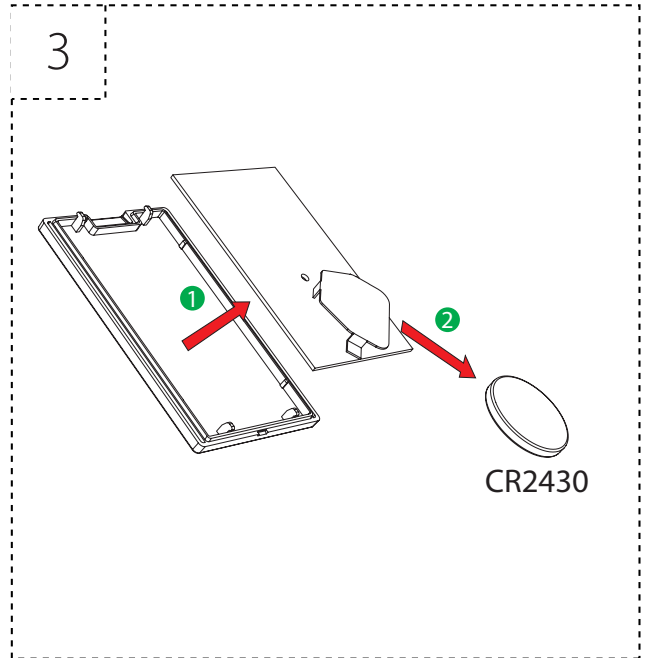
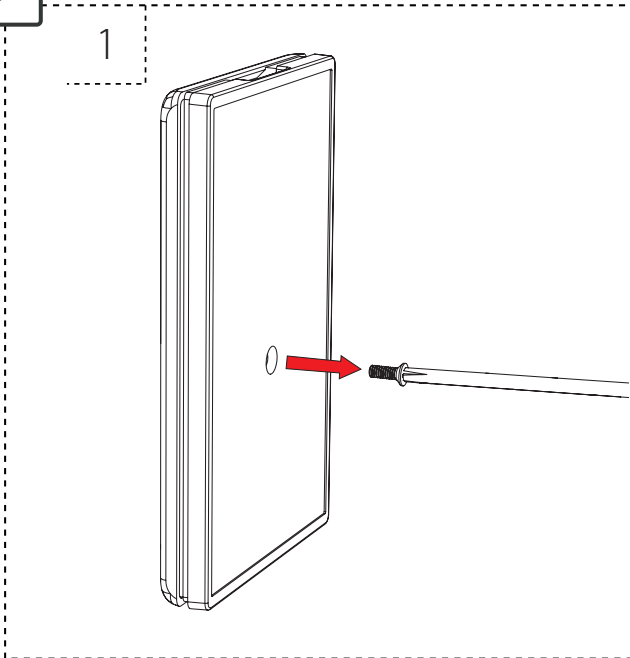


The hands free interface has a pair of switches labelled SW2. Select either switch 1 or 2 to set which button the interface will respond to and then power cycle the interface to store this setting.

The keycard can store up to 60 doors, thirty for each button.

Battery replacement

Remove the screw on the back of the card. Open the case by inserting a flat head screw driver in the slot at the bottom of the card and gently prying the case open. Remove the circuit board and replace the batteries. Replace the circuit board, casing cover, screw and label.



Specifications

Specifications			
Dimensions			
Width	3 3/8 in		
Height	2 1/8 in		
Depth	3/8 in		
System Specification			
Token type	EM4100		125 kHz
Carrier frequency			2.4 GHz
Environment			
Operating temperature		0 °C (32 °F)	55 °C (131 °F)

Electrical			
Typical Battery Life		5 years	
Battery Type	1 x CR2430		
Read range with hands free token			
With button - all readers			> 5 yds
P38			3 ft*
P50			4 ft*
P75			5 ft*
P200			8 ft*
P200E metal mount			6 ft*
Long range reader			16 ft*

* All read ranges are maximum distances. Radio products can be affected by site conditions, this means that these distances are not achieved in all cases.

FCC Compliance

This device complies with Part 15 of the FCC Rules. Operation is subject to the following two conditions:

(1) this device may not cause harmful interference, and (2) this device must accept any interference received, including interference that may cause undesired operation. Changes or modifications not expressly approved by the party responsible for compliance could void the user's authority to operate the equipment.



<https://paxton.info/9909>

