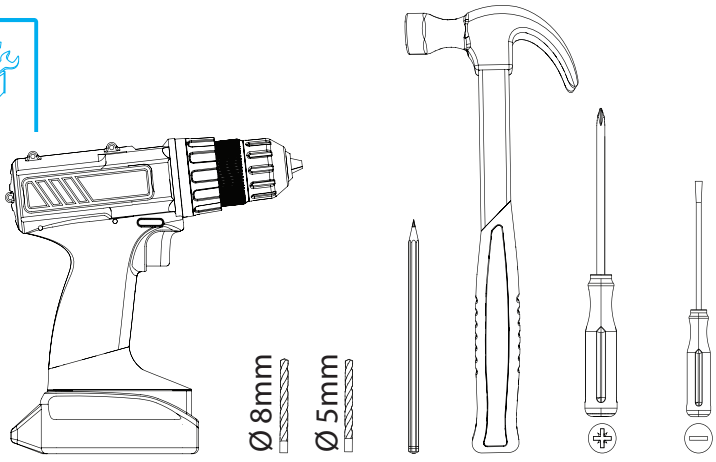
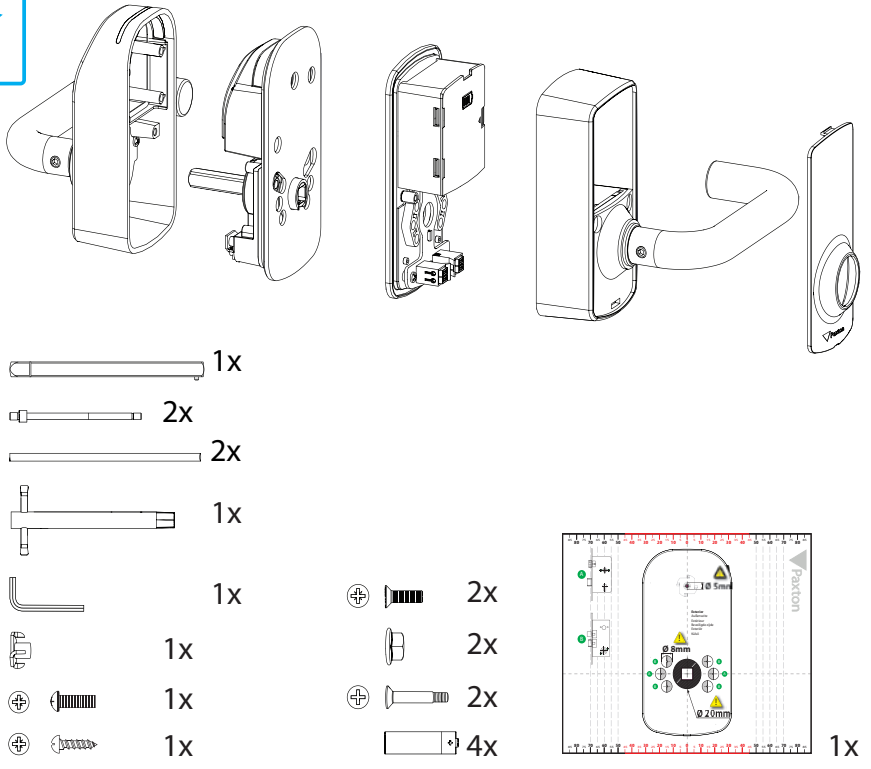
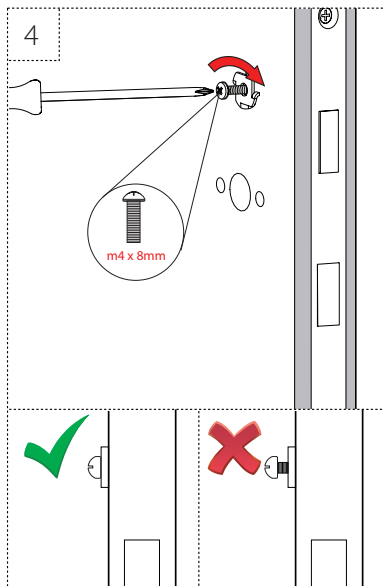
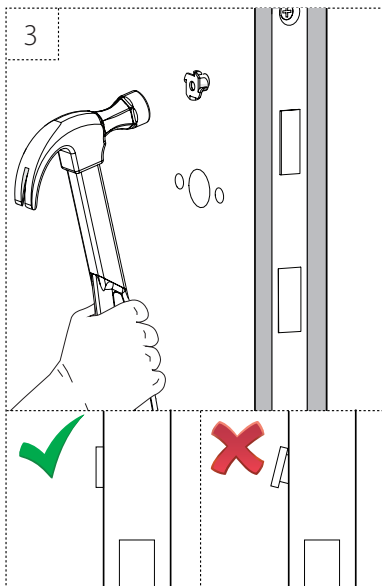
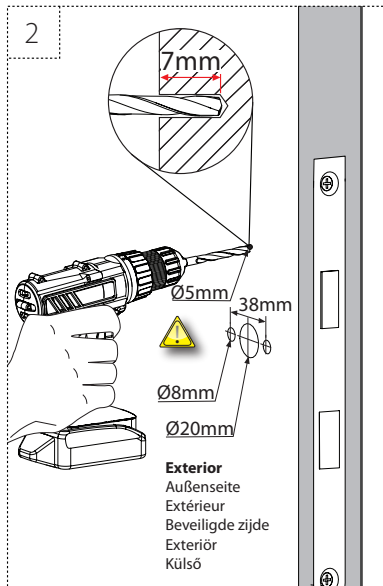
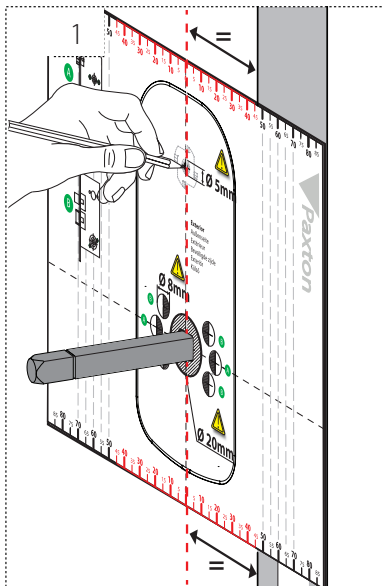


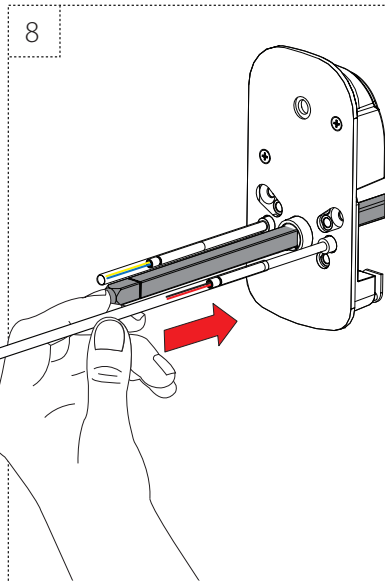
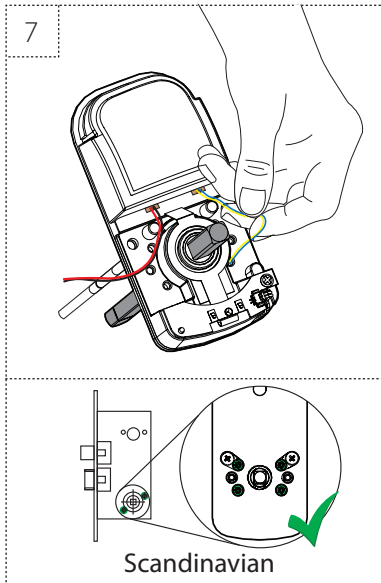
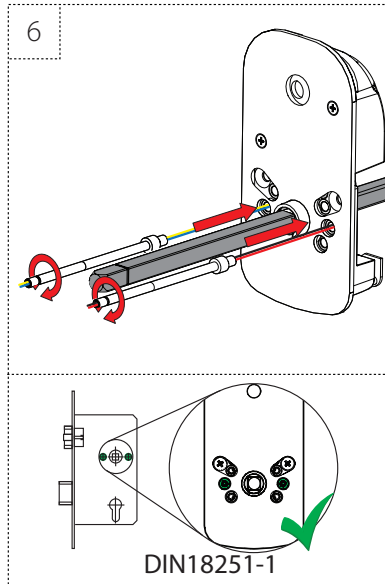
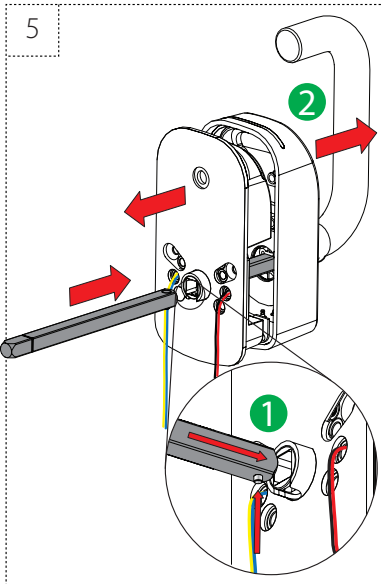


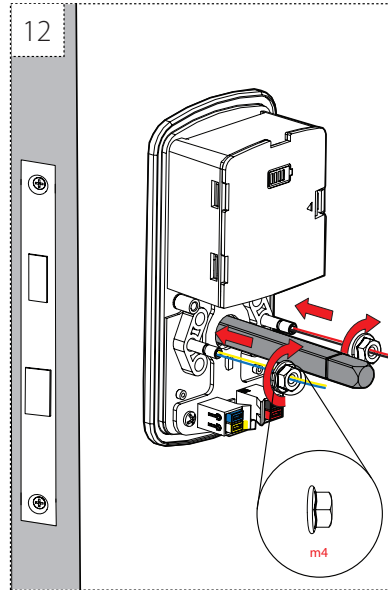
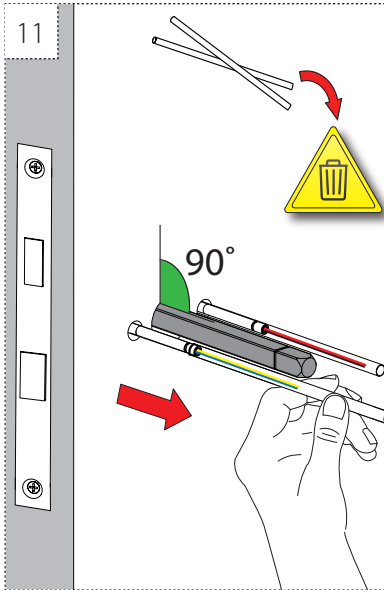
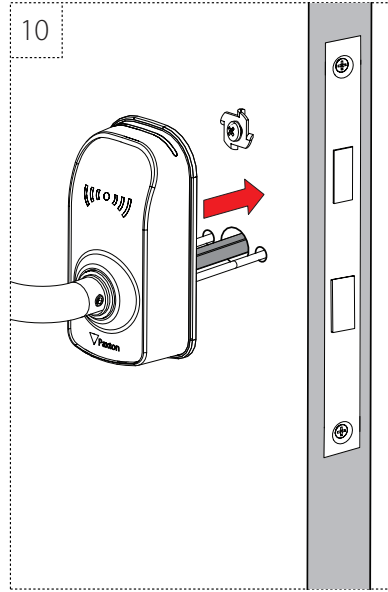
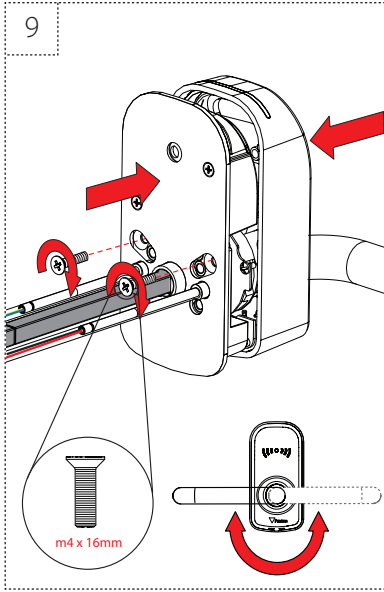
ins-01025

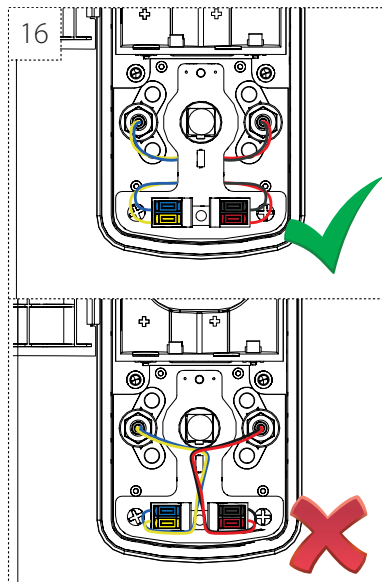
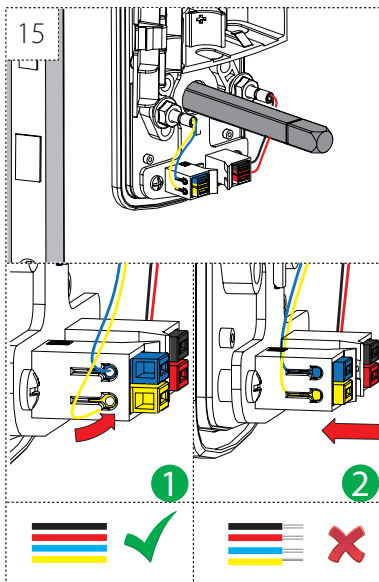
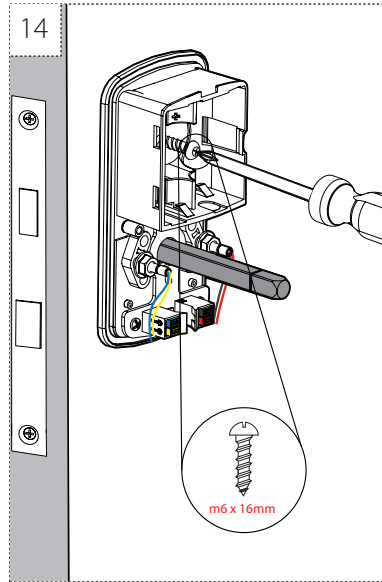
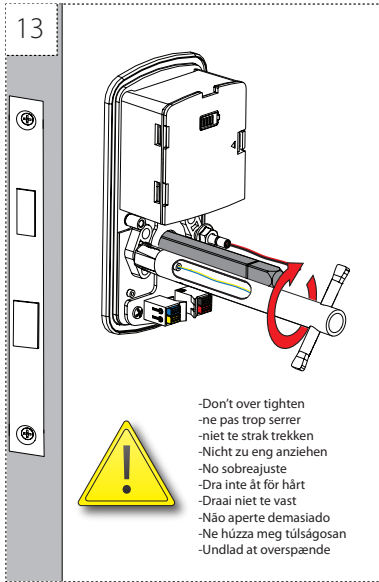




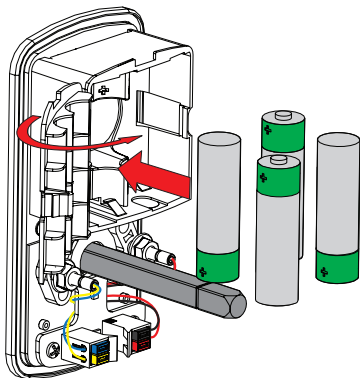




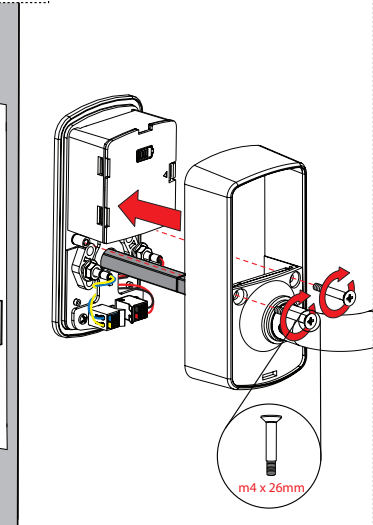




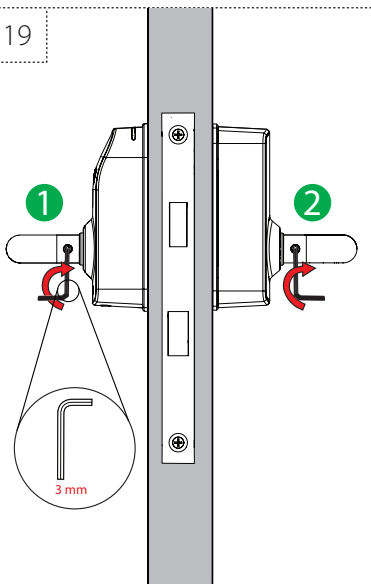
17



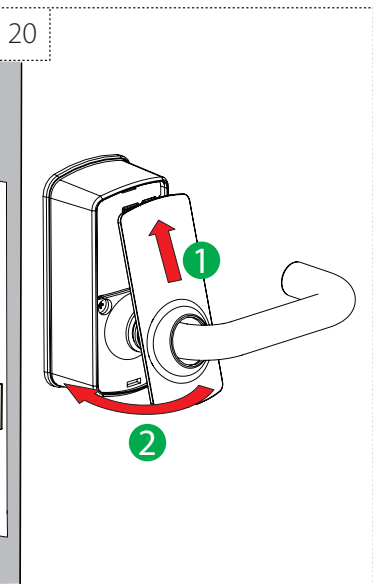
18

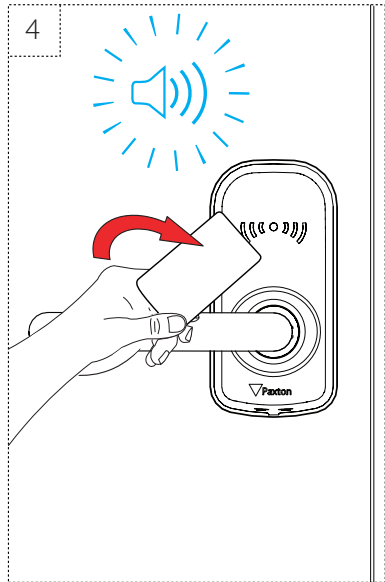
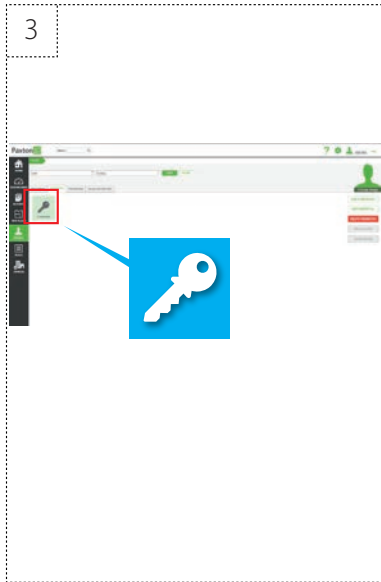
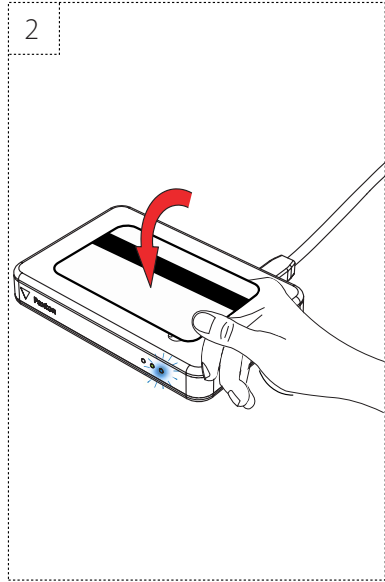
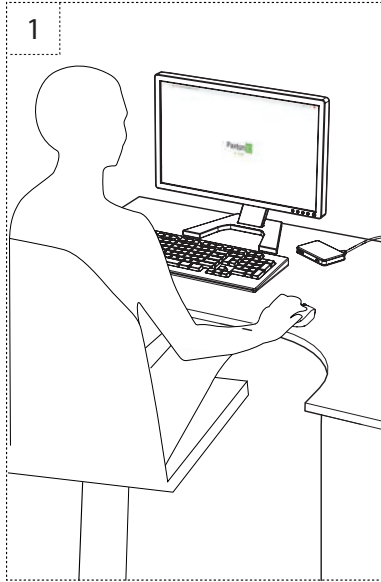


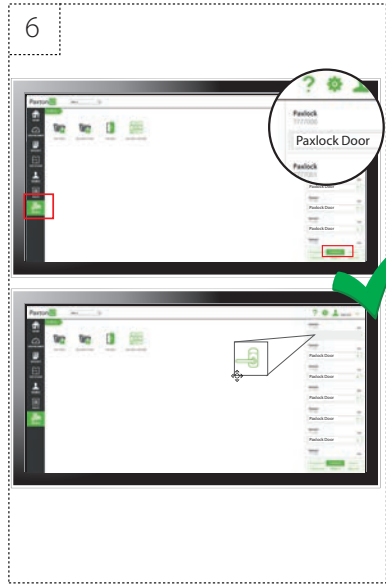
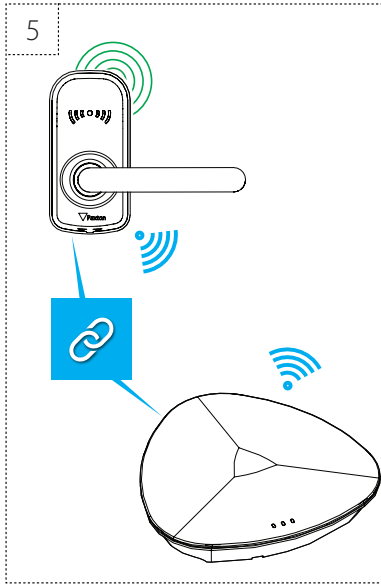
19

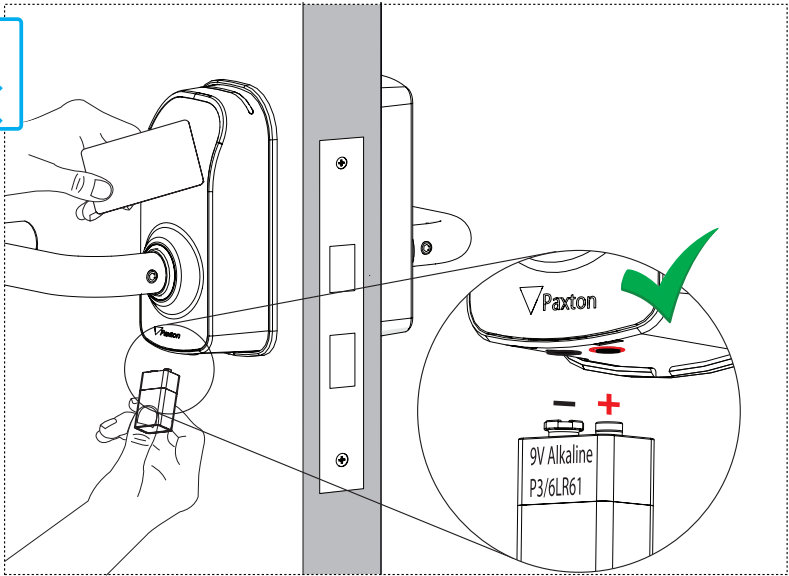
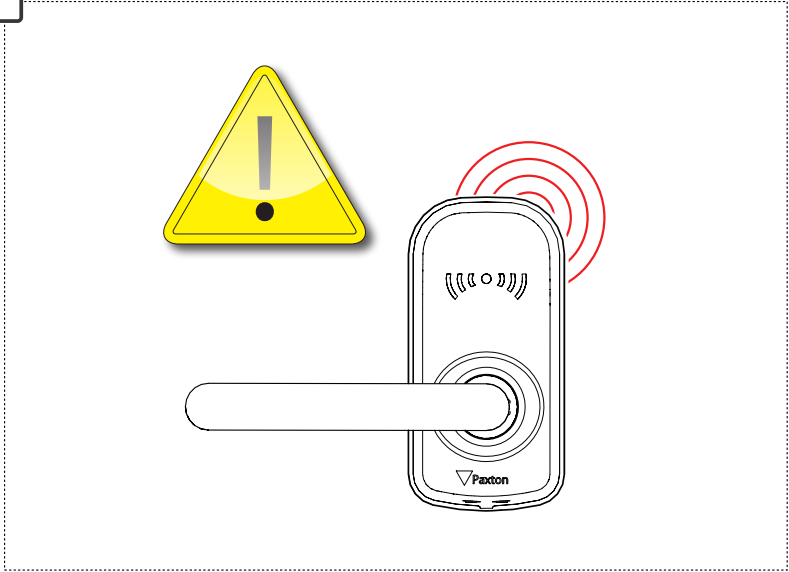


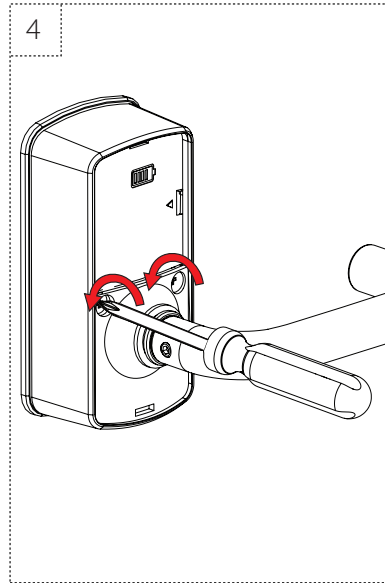
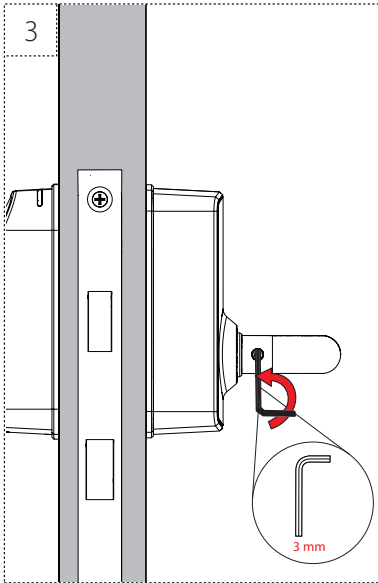
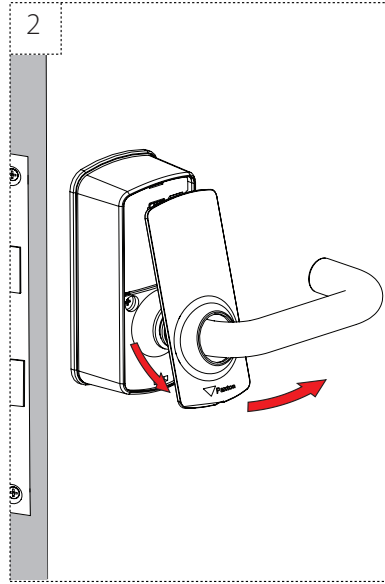
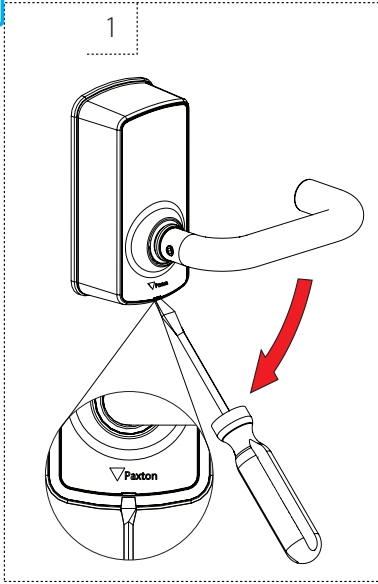
20

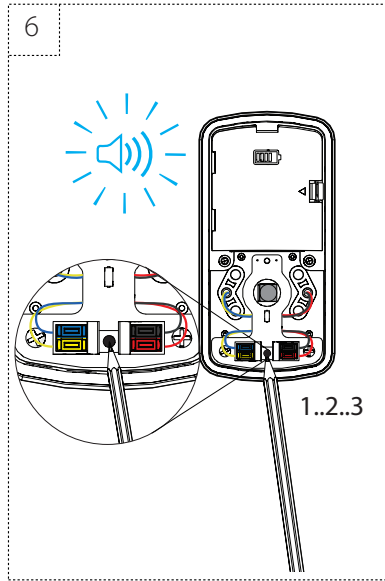
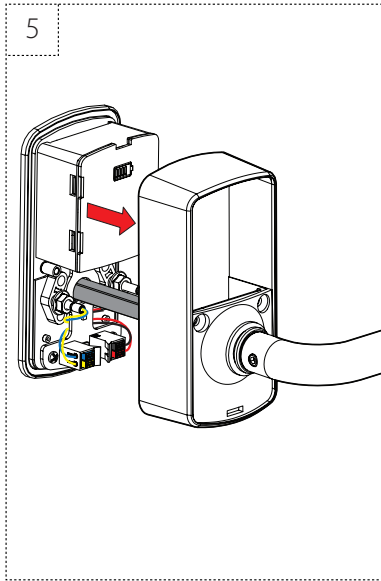


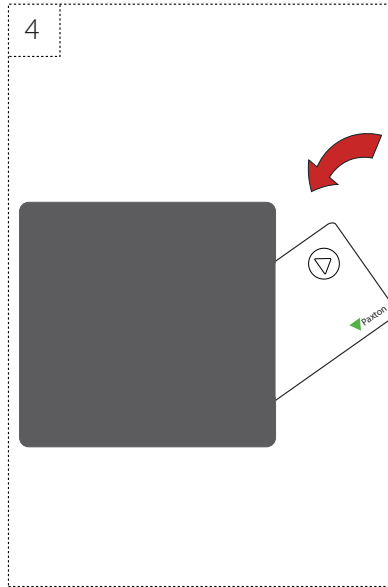
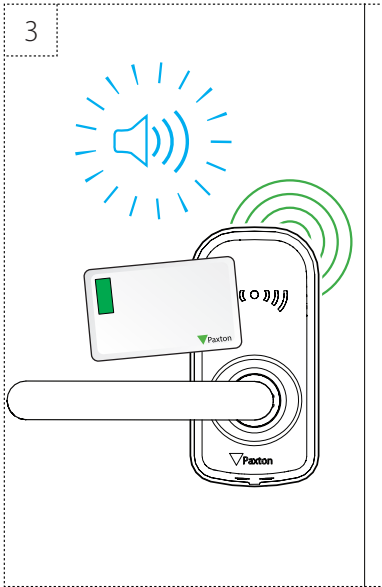
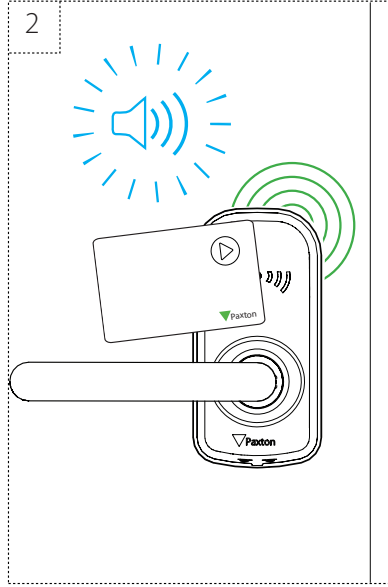
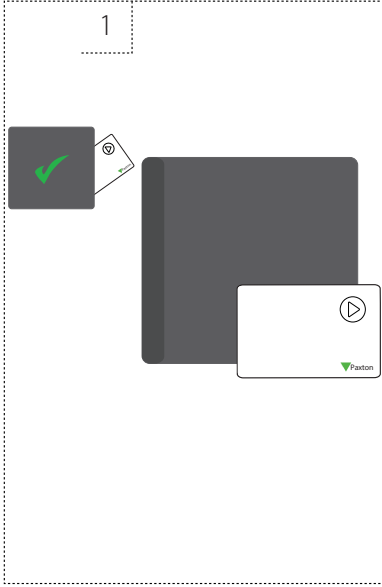


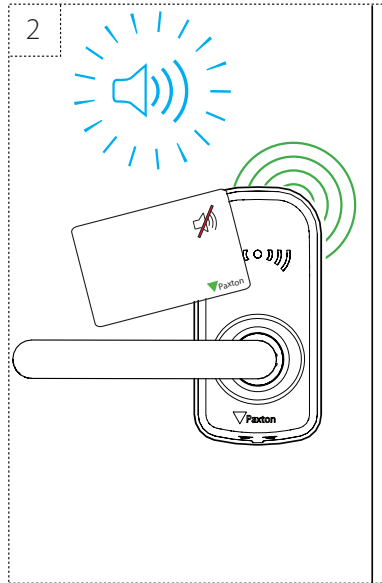
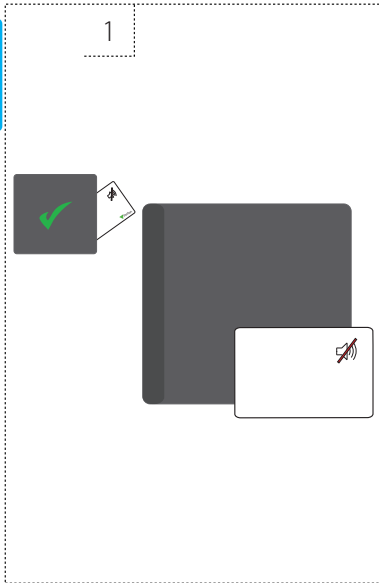
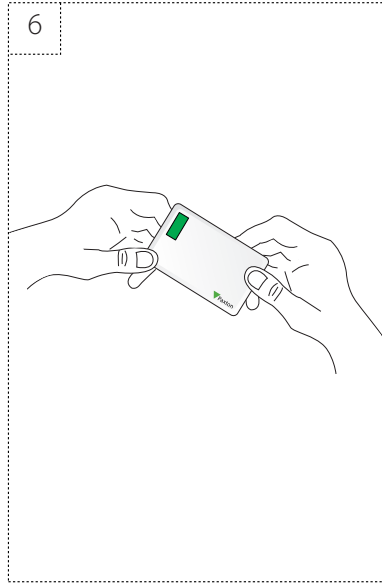
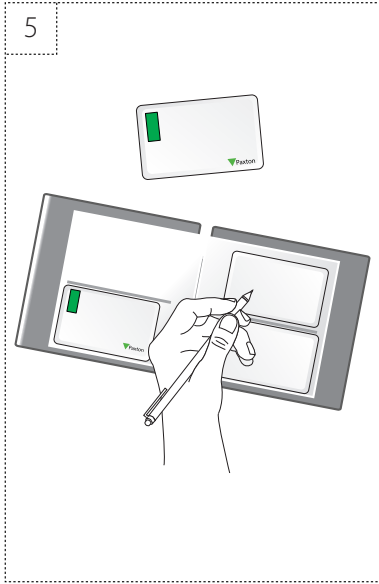


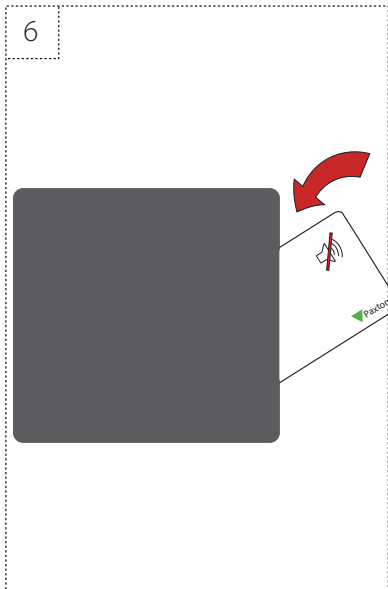
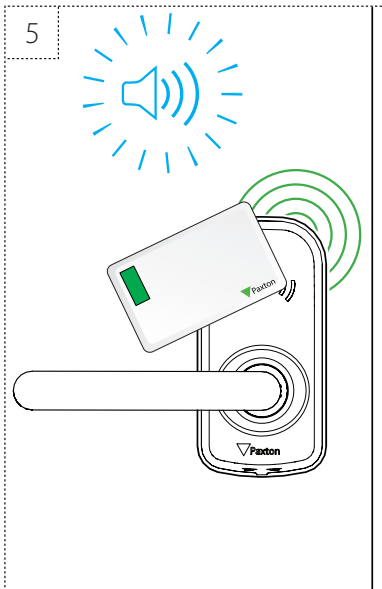
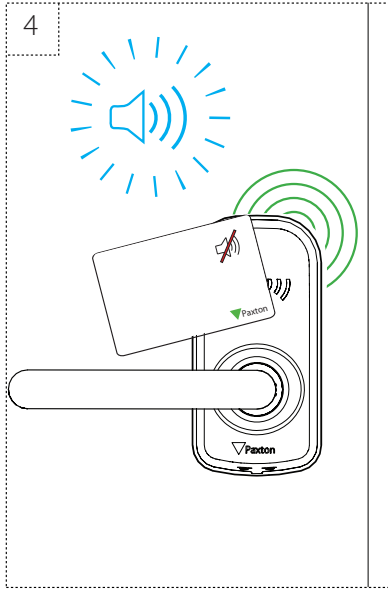
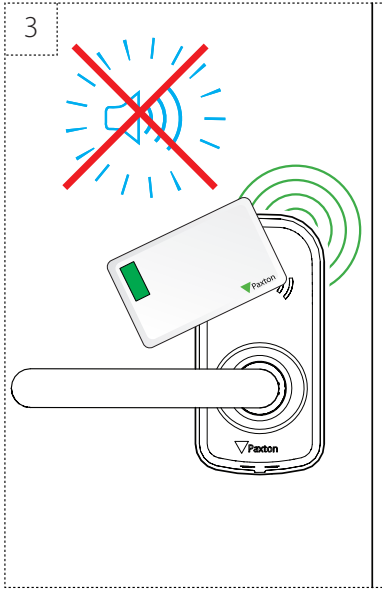






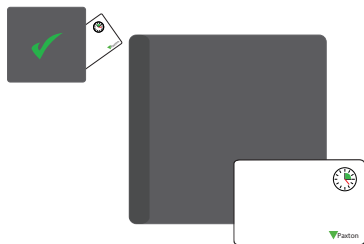




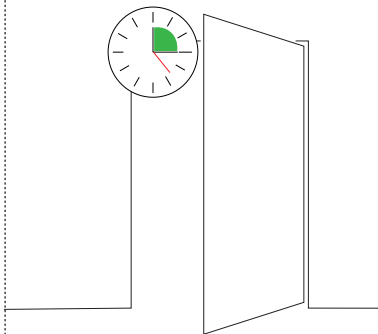




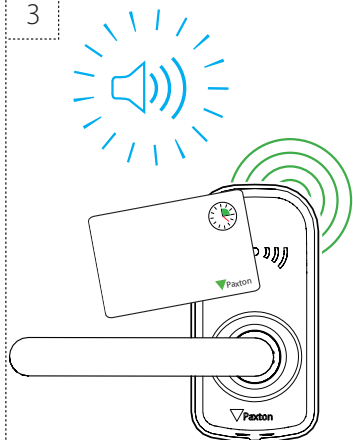
1



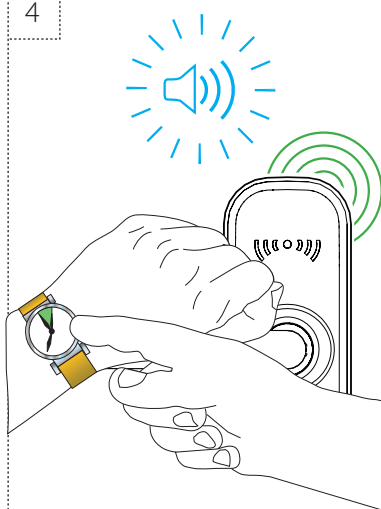
2

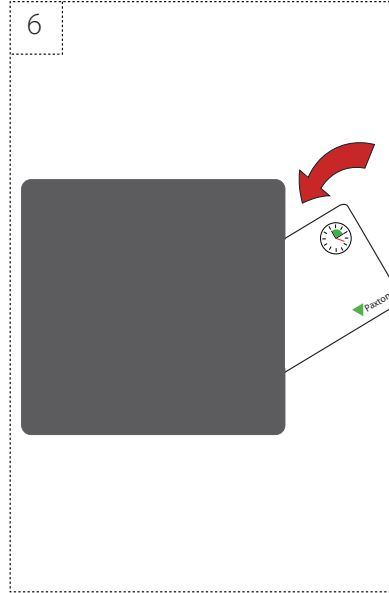
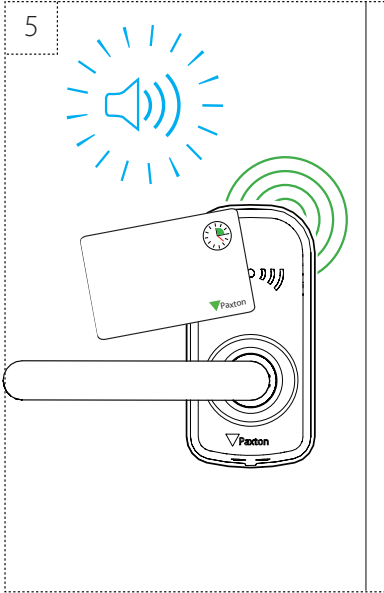


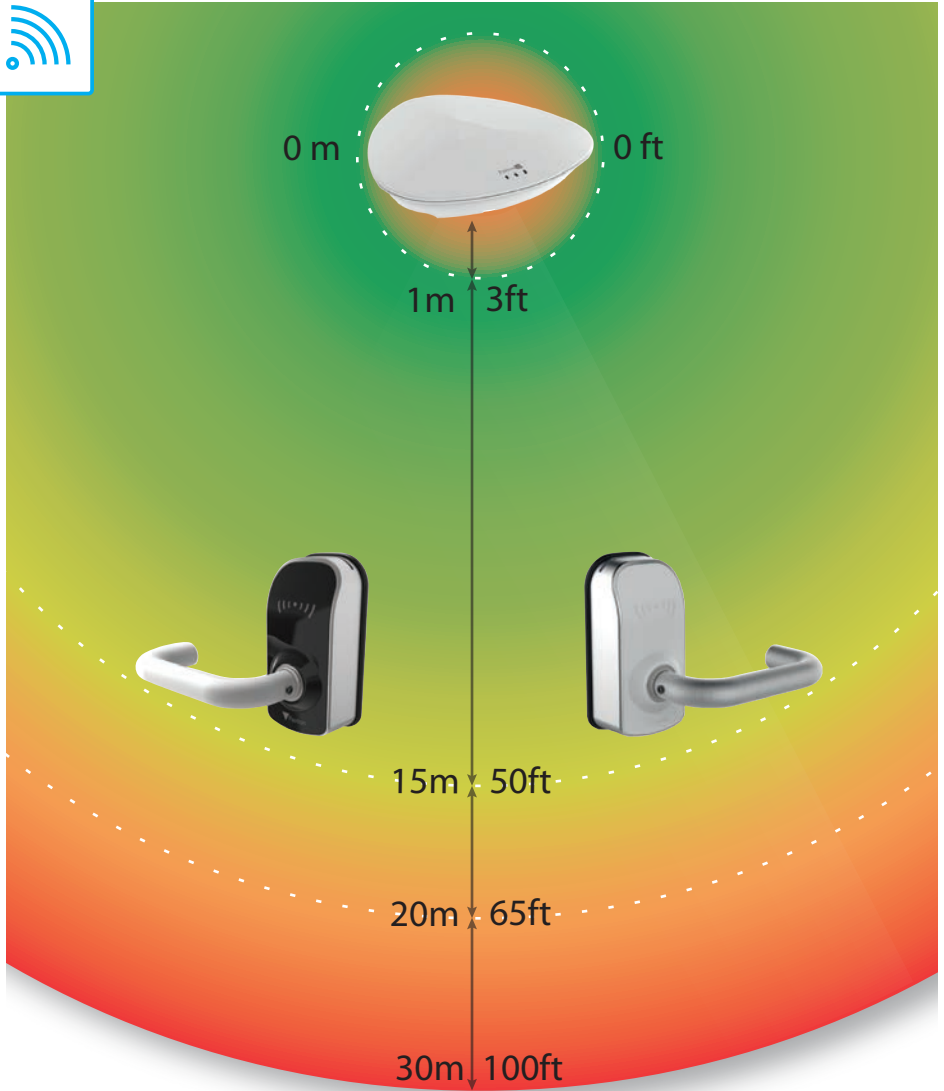
3



4











≤ 50000




Bluetooth®
low energy technology




-20°C +55°C
-4°F +131°F




-0°C +49°C
-32°F +120°F




≤ 10 mm




4 x AA Alkaline



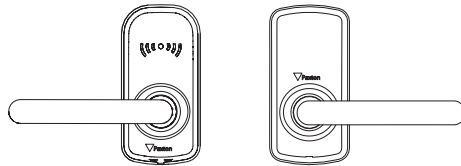
3m - 15m
10 ft - 65 ft



35 - 60 mm



6V
800mA



010-602WT



010-602BL

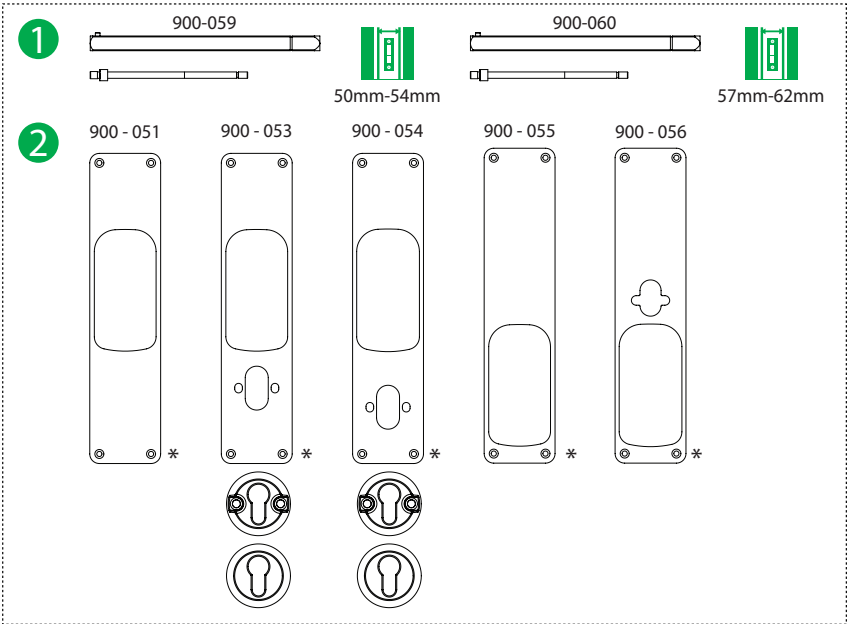
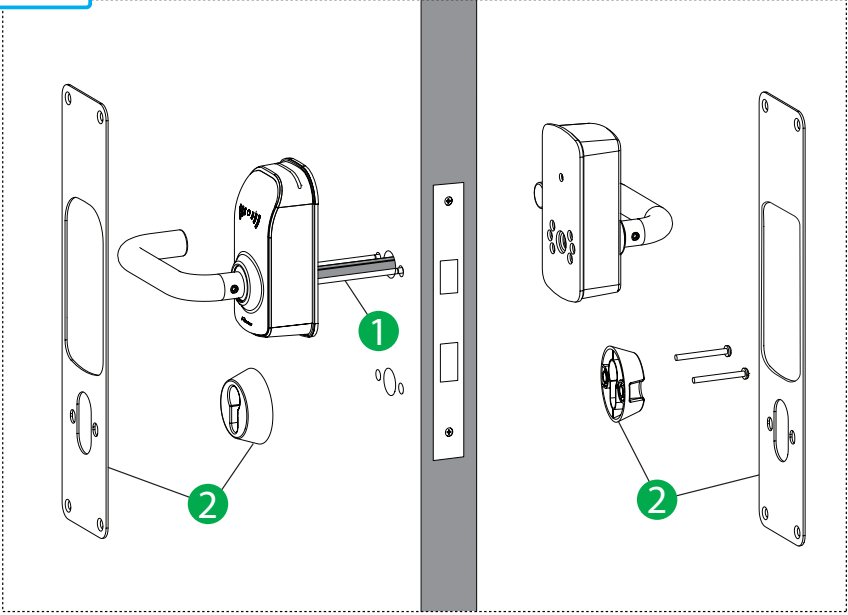


010-603WT

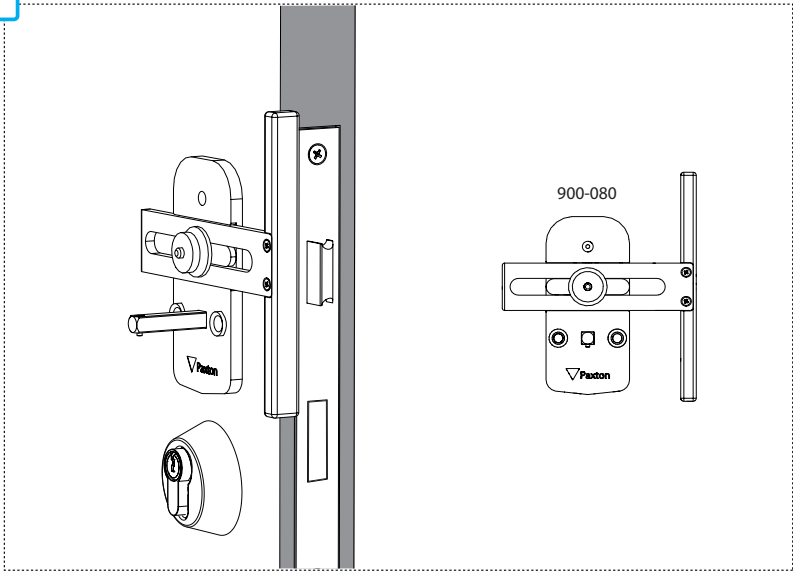


010-603BL





* <http://paxton.info/3560>





Paxton Access Ltd hereby declares that this product is in conformity with all the essential requirements of the Directive 2014/53/EU. <http://paxton.info/4867>

The full declaration of conformity is provided at: <http://paxton.info/3910>

These products are not suitable for retail sale. All warranties are invalid if these products are not installed by a competent person.

PaxLock Pro is only EN179 compliant when used with the Paxton Access EN179 accessory kit (sales code 901-015).

The PaxLock is EN1634-1:2008 compliant up to FD60 Fire resistance.

Compliance is subject to the following conditions:

Paxlock shall be installed in conjunction with an appropriately rated mortice lock case. The fire test and assessment reports are available on request. For further details on the conditions of compliance Contact details are provided at: <http://paxton.info/596>



<http://paxton.info/1606>





<https://paxton.info/9909>

