

# Net2 - Hands free keyfob

## System specifications

Hands free read range	ft
P38	Up to 3 ft*
P50	Up to 4 ft*
P75	Up to 8 ft*
P200	Up to 6 ft*
Long range reader	Up to 16 ft*

\* All read ranges are maximum distances. Radio products can be affected by site conditions, this means that these distances are not achieved in all cases.

## Hardware features

Material	Plastic
Battery type	1 x CR2032

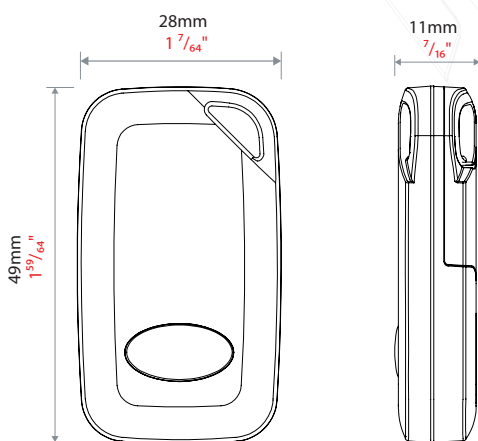
## Electrical

Frequency	IEEE 802.15.4
-----------	---------------

## Environment

Operating Temperature	32°F - +131°F
Moisture resistance	No

## Dimensions



## Sales Codes

Net2 - Hands free Keyfob	690-222-US
--------------------------	------------



Hands-free access control means the token that identifies a user is read from within a pocket or handbag. This is useful for gates and barriers, loading doors and where disabled or elderly people require access. The hands-free keyfobs, in conjunction with hands-free interface, achieve this using the unique wireless technology.

Tokens work in active and passive modes. They give a range of between 0.85m and 2.5m on any reader equipped with a hands-free interface. They work in passive mode with all other Paxton proximity readers. Enrolled onto the Net2 system using the standard desktop reader.