

Net2 - Hands free keyfob

System specifications

Hands free read range	mm
P38	Up to 850*
P50	Up to 1100*
P75	Up to 2000*
P200	Up to 2500*
Long range reader	Up to 5000*

* All read ranges are maximum distances. Radio products can be affected by site conditions, this means that these distances are not achieved in all cases.

Hardware features

Material	Plastic
Battery type	1 x CR2032

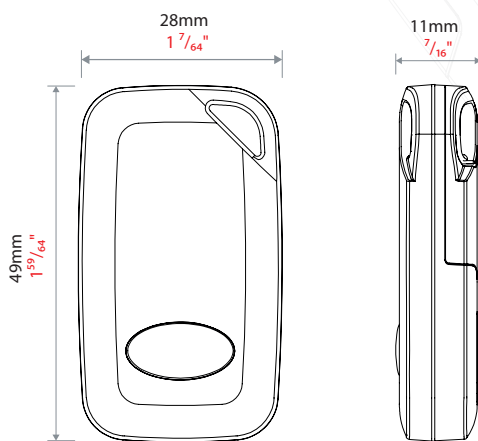
Electrical

Frequency	IEEE 802.15.4
-----------	---------------

Environment

Operating Temperature	0°C - +55°C
Moisture resistance	No

Dimensions



Sales Codes

Net2 - Hands free Keyfob	690-222
--------------------------	---------



Hands-free access control means the token that identifies a user is read from within a pocket or handbag. This is useful for gates and barriers, loading doors and where disabled or elderly people require access. The hands-free keyfobs, in conjunction with hands-free interface, achieve this using the unique wireless technology.

Tokens work in active and passive modes. They give a range of between 0.85m and 2.5m on any reader equipped with a hands-free interface. They work in passive mode with all other Paxton proximity readers. Enrolled onto the Net2 system using the standard desktop reader.