

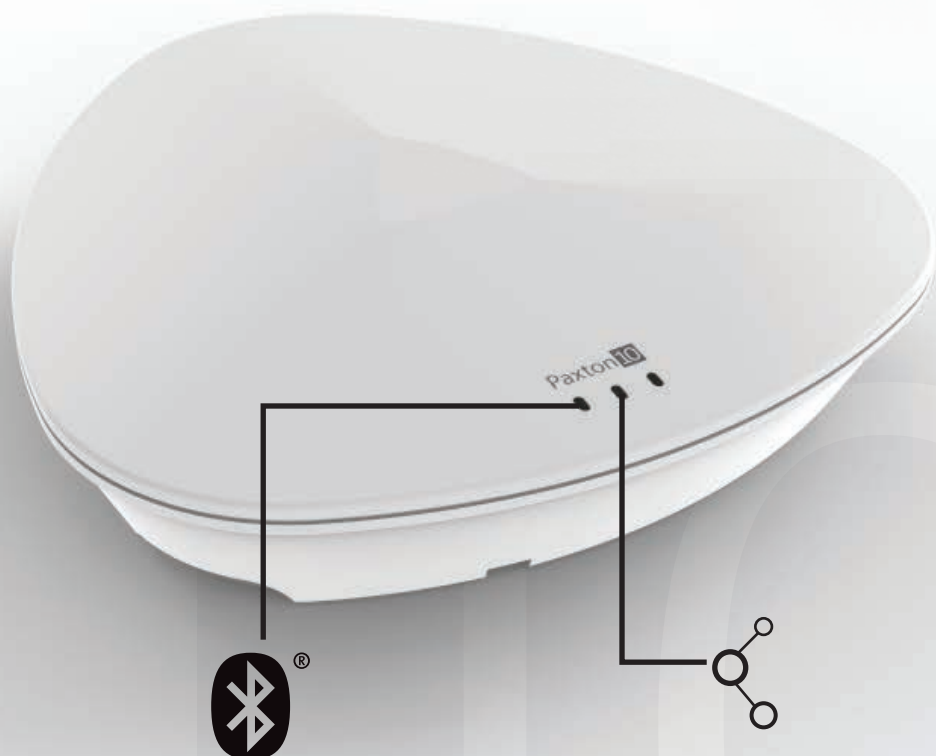
Paxton10 - Wireless Connector Paxton10

Overview

The wireless connector enables the award winning PaxLock Pro to connect to the Paxton10 system. The wireless connector communicates to the PaxLock Pro via Bluetooth®, and is designed for discreet ceiling or wall mounting.

Features

- BLE connectivity
- Easy plug and play operation
- Health and fault finding LED's for visual diagnostics





System

Maximum PaxLock Pros per connector	10
Number of cascaded connectors per controller	3



Electrical

Power consumption	300mA (Max)
Operating voltage	Powered by RS485, 30VDC



Communication

Maximum dataline connection - Controller to Connector	100m/328ft
Maximum dataline connection -Connector to Connector	100m/328ft
Data connection	RS485/Paxton10 protocol
Wireless	Bluetooth® 2.4GHz
Typical Wireless Range (to Paxlock)	15m/50ft



Hardware

LED's	Green LED - Health, comms Blue LED - Bluetooth®
Warranty	Paxton 5 year



Environment

Operating temperature	+32°F - +113°F
IP Rating	N/A if used outside, this unit must be mounted in a suitable housing
Mounting	Surface only / Backbox mounted



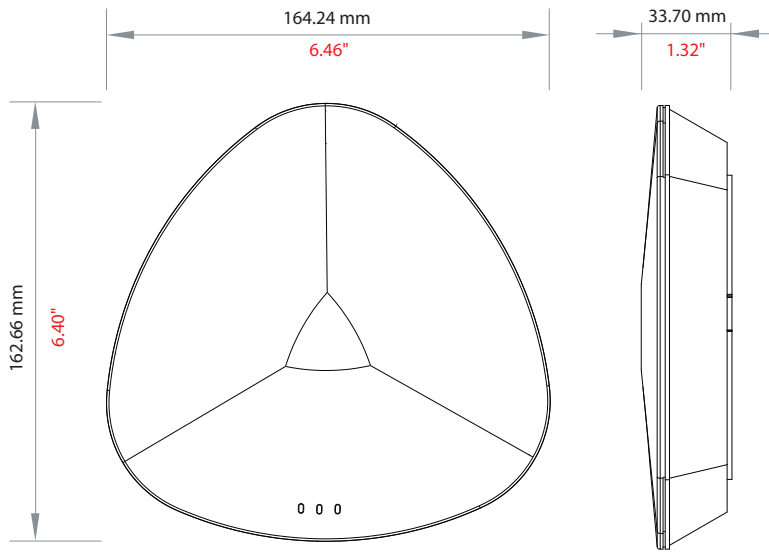
Accessories and Sales codes

010-687-US	Paxton10 - Wireless Connector
------------	-------------------------------





Dimensions



Certifications: UL 60950-1, FCC 15C

© Paxton Ltd 1.0.9