

# Paxton10 - VR reader

## Overview

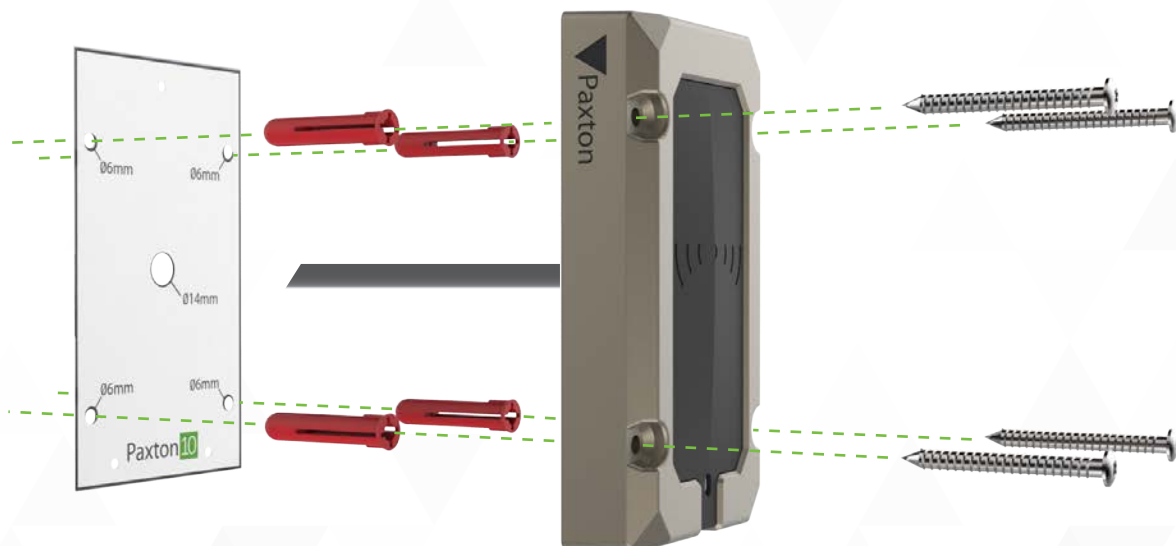
The Vandal Resistant Reader brings support for a vast amount of functionality encased in a tough IK10 rated construction.

Designed with vandal resistance in mind, the VR Reader includes support for all leading token technology including HID Prox®, MIFARE®, Paxton and EM as well as offering Bluetooth® for communication with long range or hands free credentials and mobile telephones via the Paxton app.



## Features

- IK10 Rated
- IP67 Rated
- Multi-format reading technology offering compatibility with Paxton, MIFARE, HID Prox®, EM and more
- Built-in Bluetooth® Low Energy support to allow communication to mobile and wearable devices
- Simple 4 wire installation
- Brings Paxton simplicity to the plethora of token types currently on the market by supporting all of them concurrently
- Low power sleep mode with capacitive wake-up



# Specifications



## Token compatibility

Paxton encrypted	
Frequency	13.56 MHz
Data read	AES 128 bit encrypted credential
Cloning resistance	High
Paxton standard	
Frequency	125kHz
Data read	Serial number (CSN) & User memory
Cloning resistance	Medium
EM4100/02	
Frequency	125kHz
Data read	Serial number (CSN)
Cloning resistance	Low
MIFARE®	
Frequency	13.56MHz
Data read	UID
Cloning resistance	Low
HID Prox®	
Frequency	125kHz
Data read	User number/site code
Cloning resistance	Low



## Electrical

Power consumption	1W (Max)
Operating voltage	12V
Current Draw	40mA (Quiescent) 100mA (Max)



## Communication

RFID Frequency	125kHz & 13.56MHz
Encryption	RS485/Paxton10 Protocol
Bluetooth®	2.4GHz
Token Mode	Up to 2cm
Touch to Enter	Up to 1.5m
Long Range	Up to 10m



## Hardware

Cable Type	22AWG, 4 core twisted pair
Cable Length	5m / 16ft
Maximum cable extension (Controller – Reader)	100m / 328ft
Sound	Piezo Buzzer
Color	Black
Housing material	ASTM B86
Warranty	Paxton 5 year



## Environment

Operating temperature	-35°C - +66°C
IP Rating	IP67
IK Rating	IK10
Mounting	Surface only, suitable for mounting

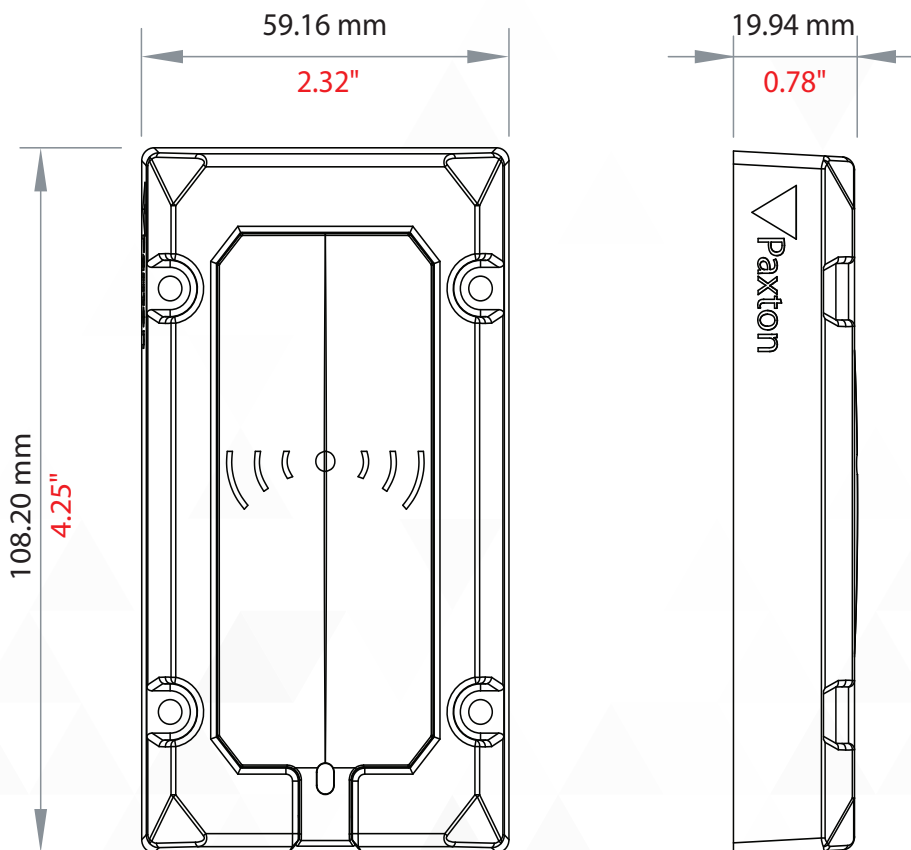


## Accessories and Sales codes

010-254-US	Paxton10 - VR reader
------------	----------------------



## Dimensions



Certifications: UL 294, FCC 15C