

Paxton10 - Vari-Focal Bullet Camera, PRO series

Paxton10

Overview

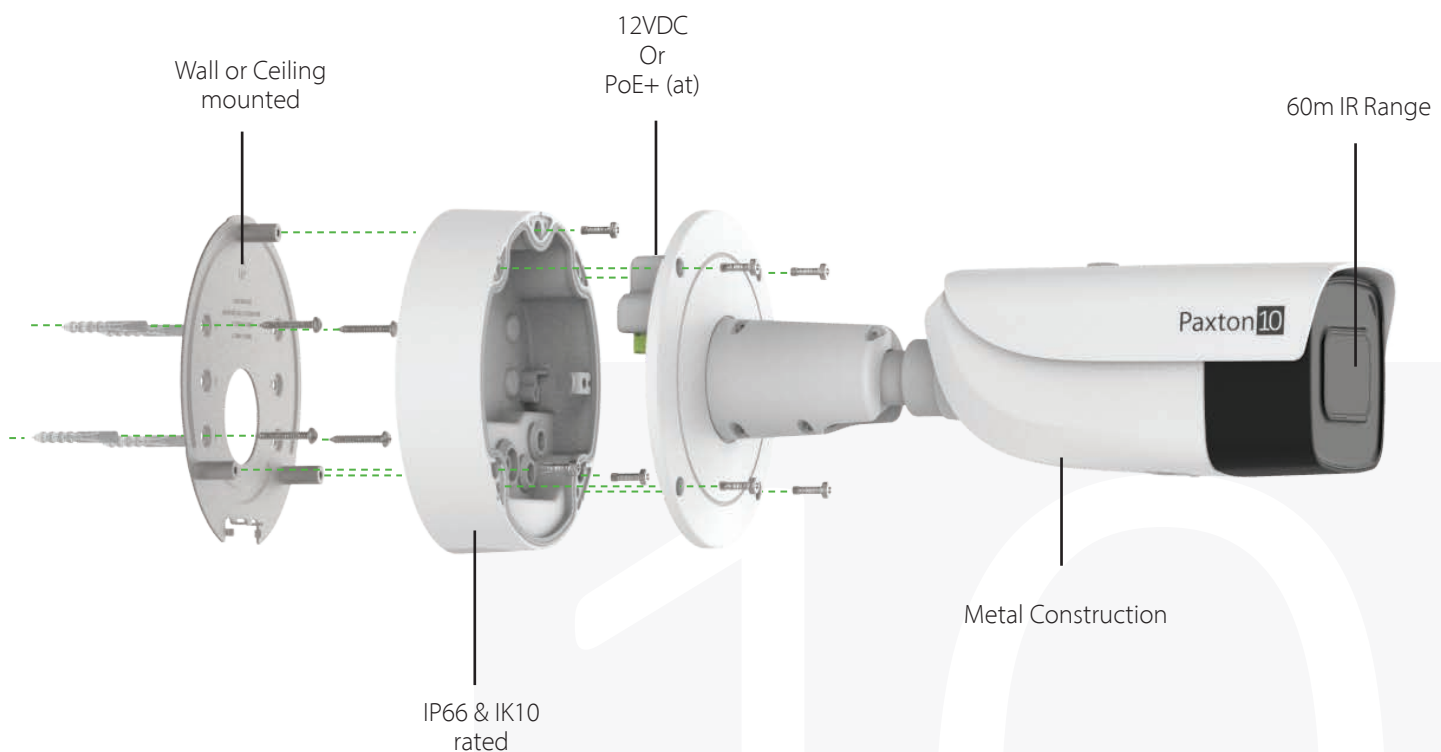
The Paxton10 camera range are designed specifically to work with the Paxton10 system. As such they offer the most simple, secure and flexible installation possible. No NVR or other hardware is required as video is processed on the camera and can be stored either on the pre-installed 256GB SD card or sent directly to any network location.

The Paxton10 camera range also features stunning low light performance, inbuilt IR, 4K resolution, PoE power and comes with Paxton's 5 Year warranty.



Features

- 8MP ultra-low light sensor capable of recording at up to 4K
- 256GB high performance SD card
- IP66 and IK10 rating
- Mountable on either Wall or Ceiling
- All metal construction
- 60m IR range
- 120dB Wide Dynamic Range
- 12VDC or PoE+ (at)
- 0.003 lux @ F1.4
- 2.8 to 12mm focal length (Motorised)





System

Video Streams - Main - Defaults

High

Resolution	4K
Frames per second	20fps
Max bit rate	12288kbps

Medium

Resolution	1080p
Frames per second	20fps
Max bit rate	3072kbps

Low

Resolution	720p
Frames per second	15fps
Max bit rate	1536kbps

Substream

Resolution	360p
Frames per second	10fps
Max bit rate	512kbps
Video compression	H264
Day/Night mode	Auto



Electrical

Power consumption	12VDC @ 0.5A, max 14.5W PoE: Max 18W
Operating voltage	12v DC ±25% PoE+ 802.3at



Communication

ONVIF	No
RTSP	No
IP	Yes



Hardware

Weight	1450g
SD Card	256GB Max
Video format	PAL/NTSC
Image Sensor	1/2.7" Progressive Scan CMOS
Focal Length	2.8 to 12mm
Aperture	F1.4

FOV	Horizontal field of view: 108° to 30° Vertical field of view: 56° to 17° Diagonal field of view: 131° to 35°
3-Axis Adjustment (manual)	Pan: 0° to 355°, Tilt: 0° to 90°, Rotate: 0° to 360°
Material	Front Cover: Metal Back Cover: Metal
Warranty	Paxton 5 year
SD Card specs (included)	
Storage Capacity:	256GB
Read speed:	95MB/s
Write speed	55 MB/s
Class	Class 10
Warranty	1 year
Recommended SD Card specs	
Storage Capacity	256GB (Maximum supported)
Card type	Micro SDXC
Class	UHS Class 1
Memory type	MLC (Multi-Level cell)



Environment

Operating temperature	-22°F to +140°F
IP Rating	IP66
IK Rating	IK10
Mounting	Wall or ceiling



Interface

Alarm	Not enabled, for future use
Audio In/Out	Not enabled, for future use



Accessories and Sales codes

010-924-US	Paxton10 - Vari-Focal Bullet Camera, PRO series
------------	---





Dimensions

