

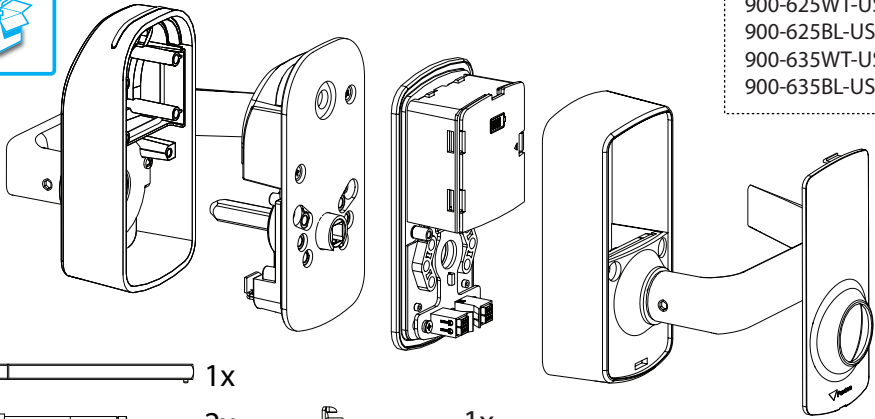


ins-30236

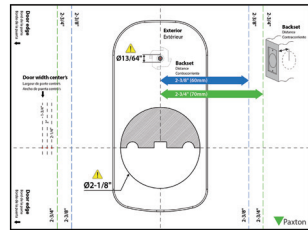




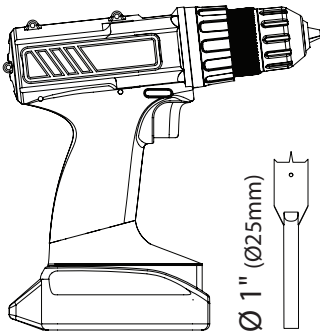
900-625WT-US
 900-625BL-US
 900-635WT-US
 900-635BL-US



- 1x
- 2x
- 2x
- 1x
- 1x
- 1x
- 1x
- 1x
- 2x
- 2x
- 2x
- 4x
- 1x



1x



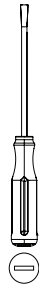
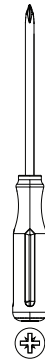
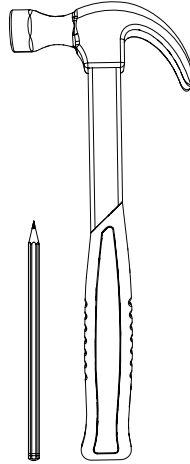
Ø 1" (Ø25mm)

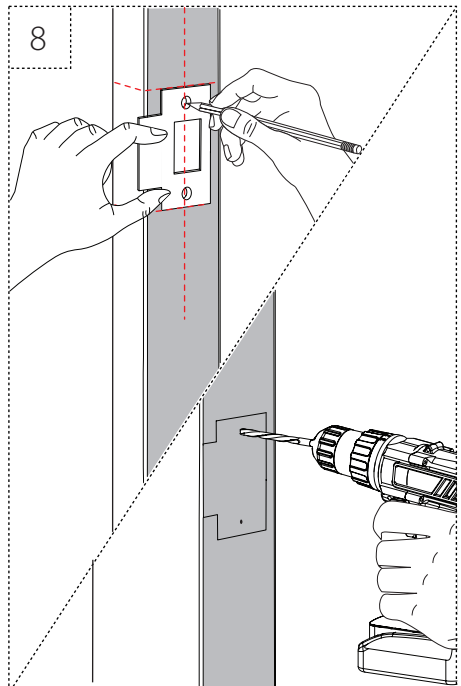
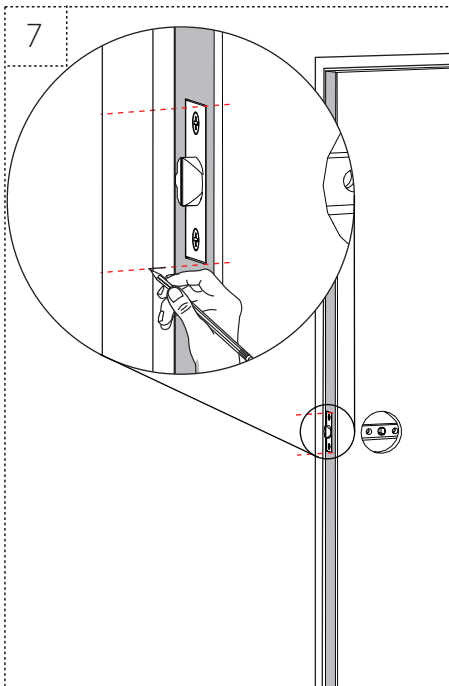
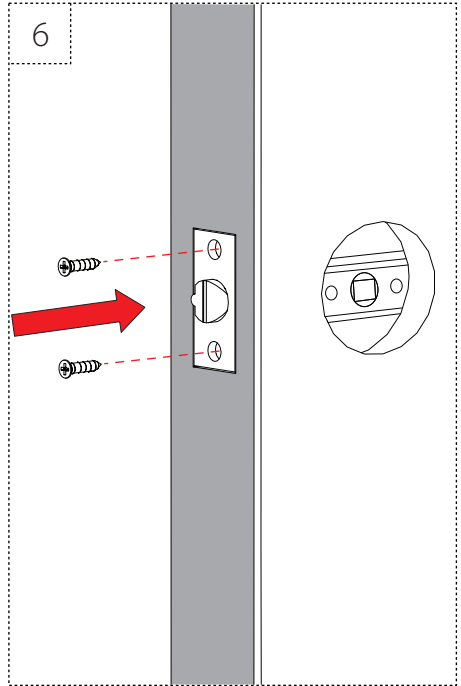
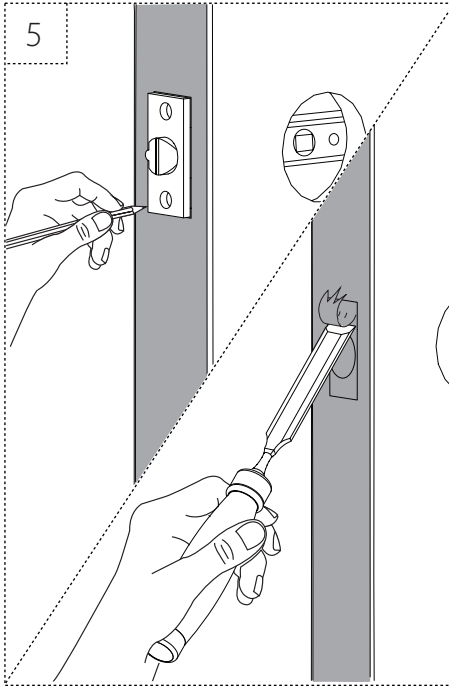


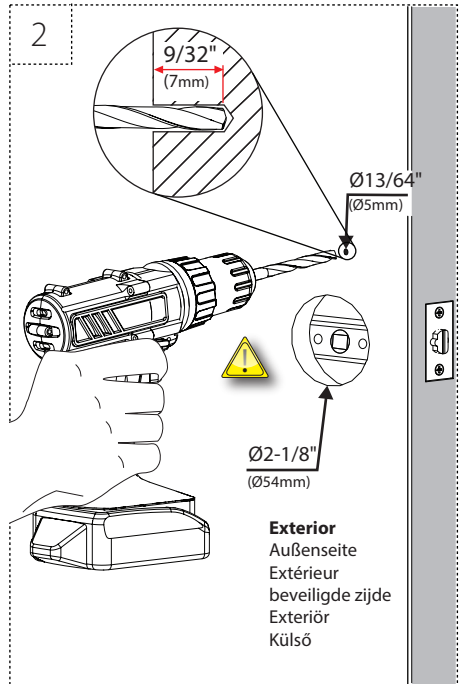
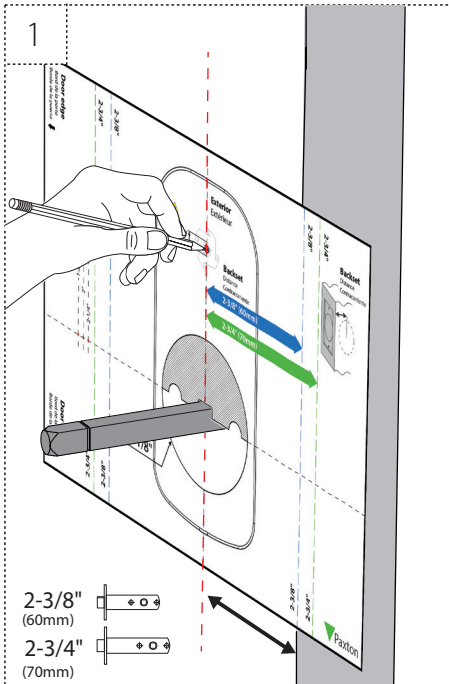
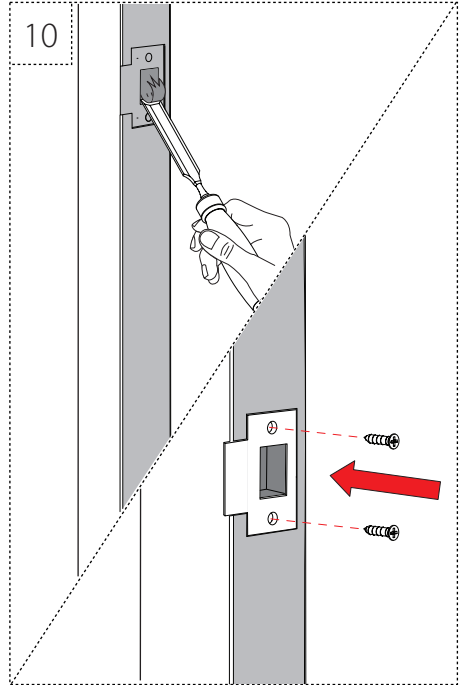
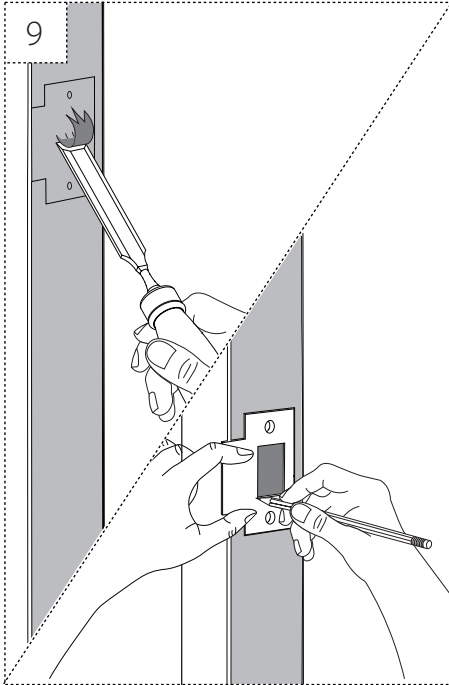
Ø 2-1/8" (Ø54mm)

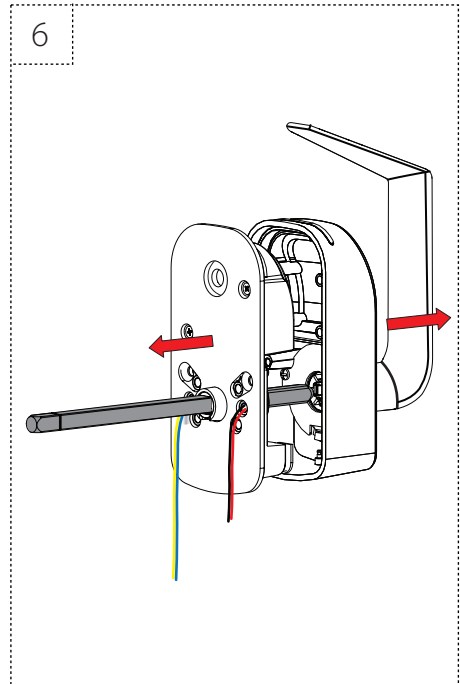
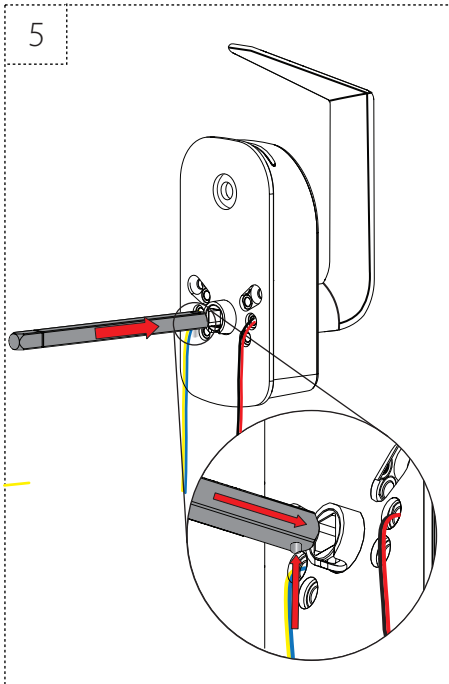
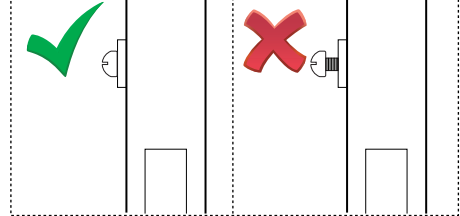
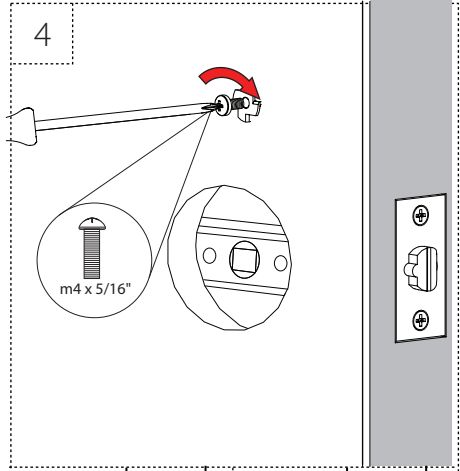
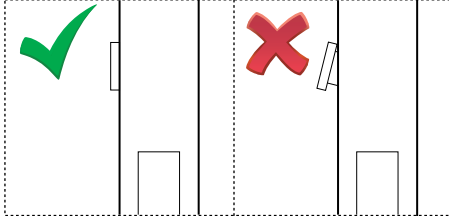
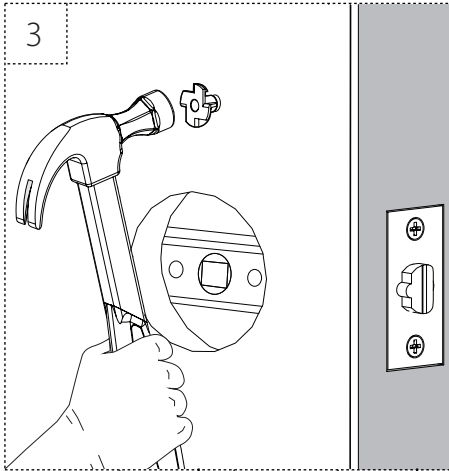


Ø 13/64" (Ø5mm)

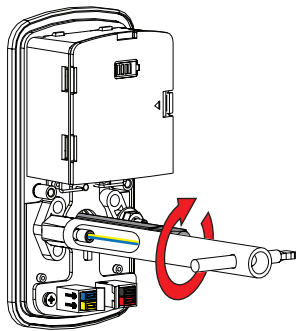




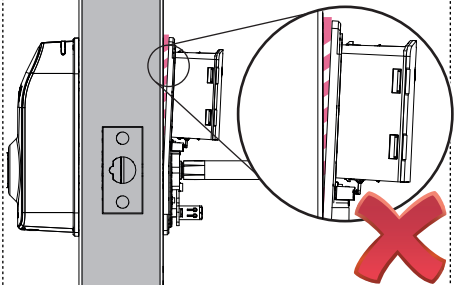
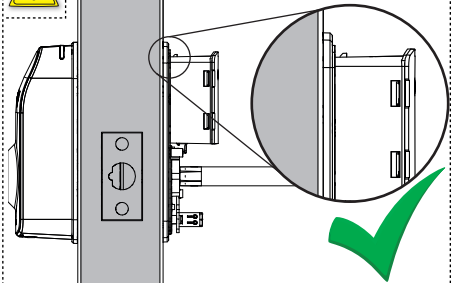




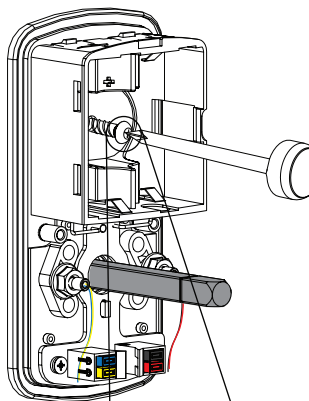
15



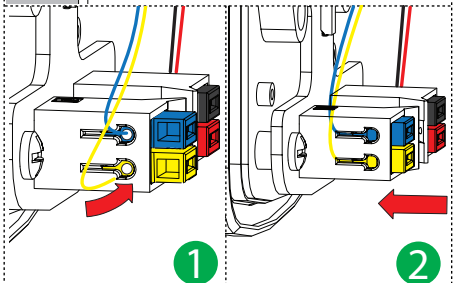
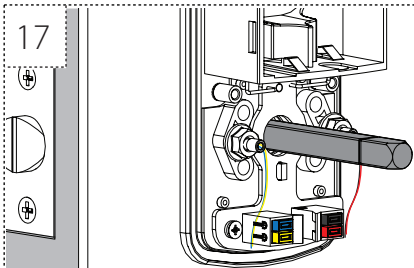
- Don't over tighten
- ne pas trop serrer
- niet te strak trekken
- Nicht zu eng anziehen
- No sobreajuste
- Dra inte åt för hårt
- Draai niet te vast
- Não aperte demasiado
- Ne húzza meg túlságosan
- Undlad at overspænde

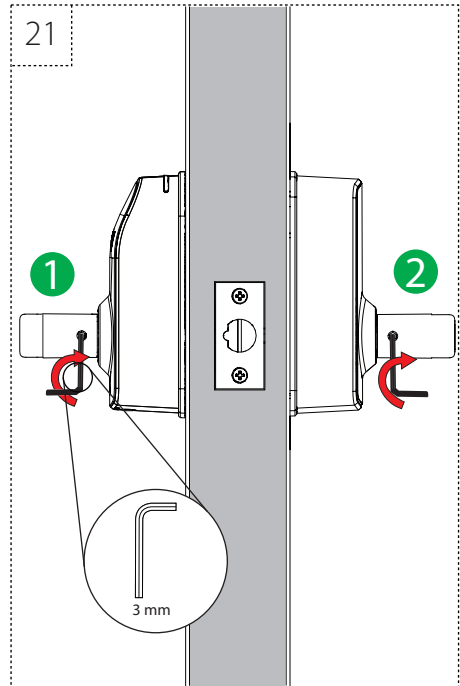
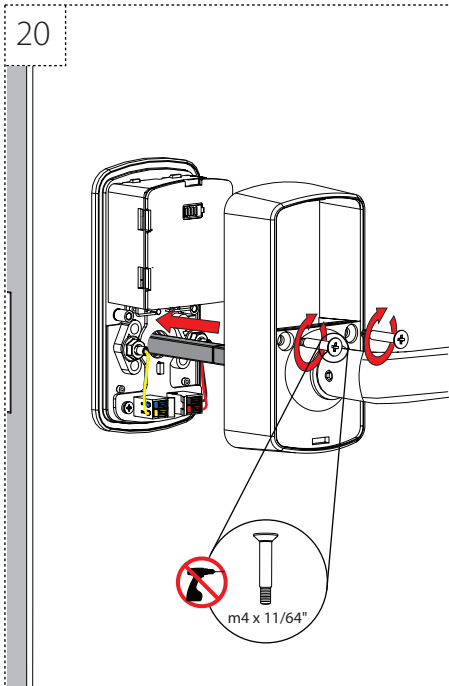
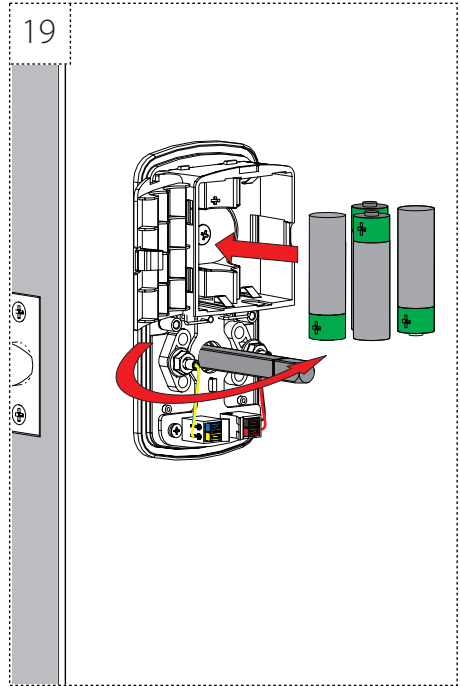
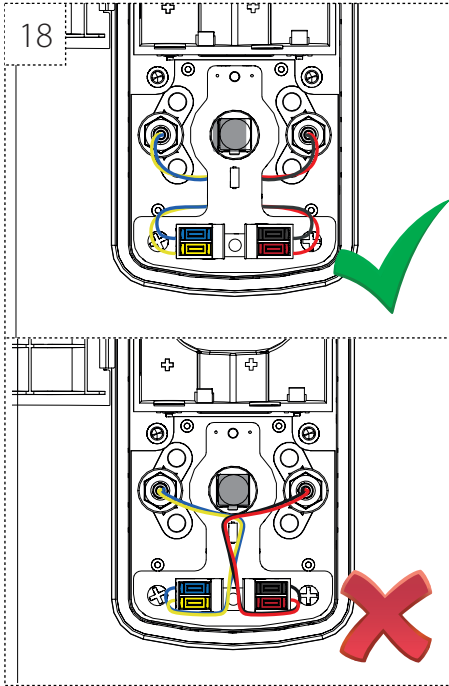


16

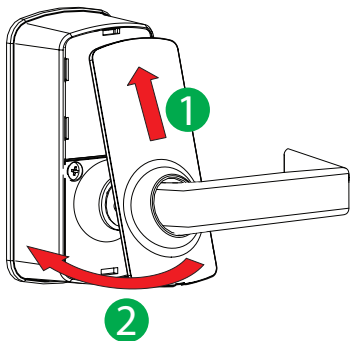


17

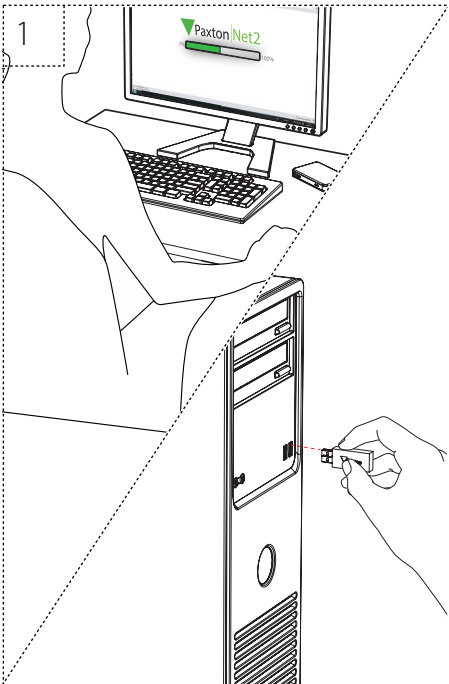




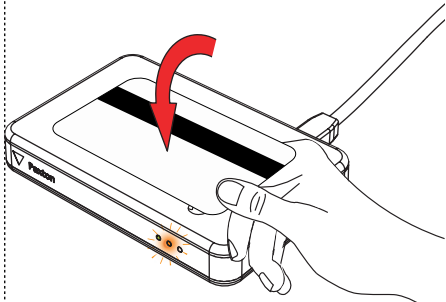
22



1



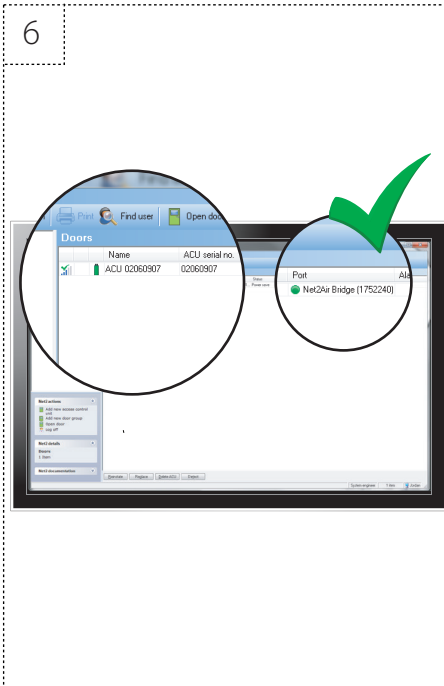
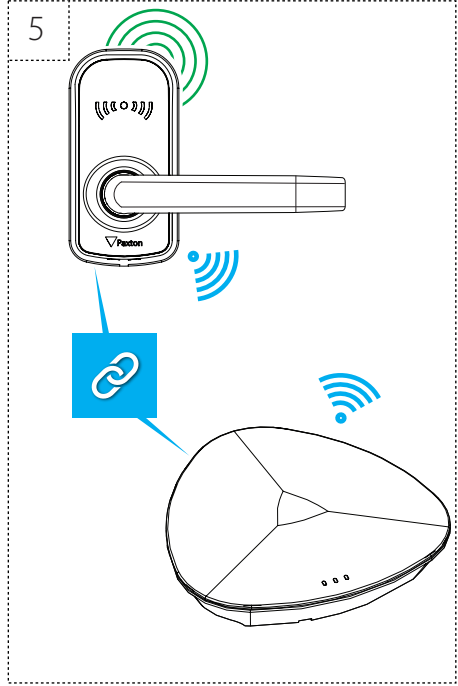
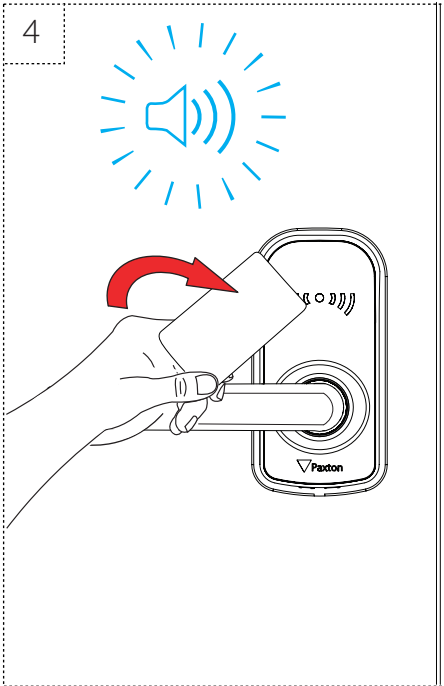
2

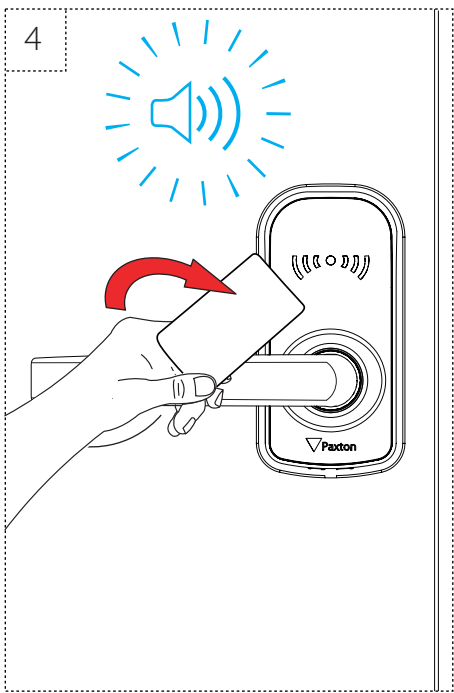
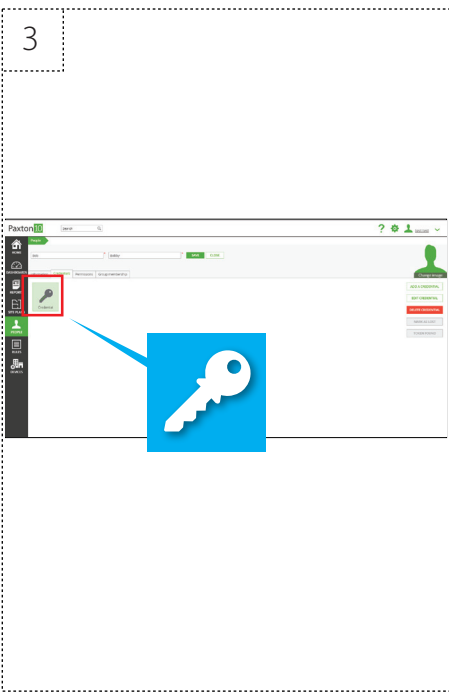
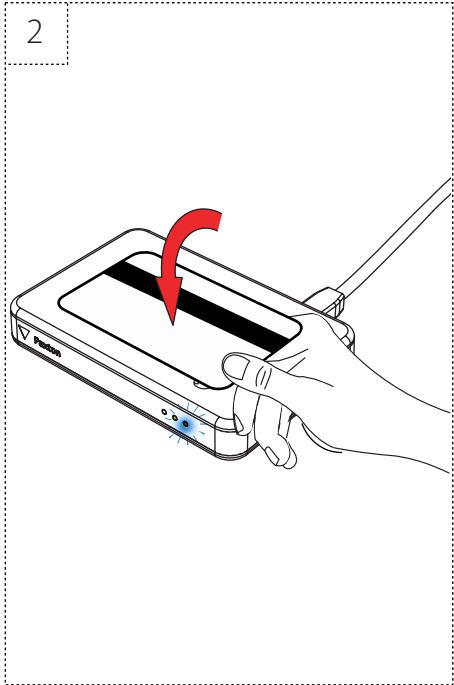
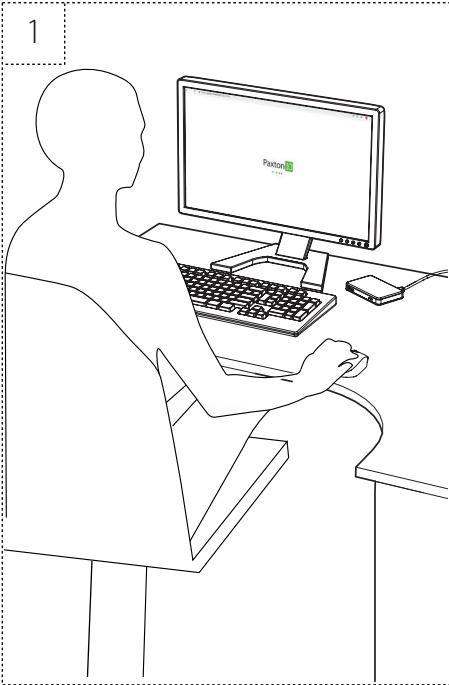


3

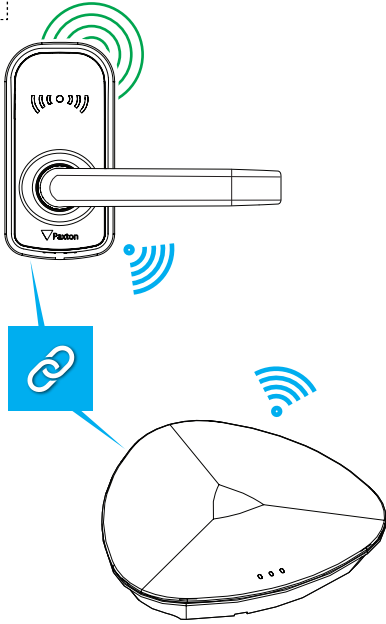
A screenshot of the 'Add user' software interface. The 'First name' field contains 'John Smith' and is highlighted with a red box. A blue callout bubble with a white plus sign and a person icon points to the 'First name' field. At the bottom right, the 'Add user!' button is highlighted with a red box. The interface includes various input fields for user details and a 'Get picture' button.

First name	John Smith	Get picture
Middle name		
Surname		
Department	[none]	
Access level	All hours, all doors	
Telephone		
Fax		
Valid from	28/06/2013	Email
Expires end	18/12/2017	Position
Address 1		Start date
Address 2		Car registration
Town		Notes
County		
Post code		
Home telephone		Personnel number
Home Fax		PIN
Mobile		Token number
Card template		Token type





5



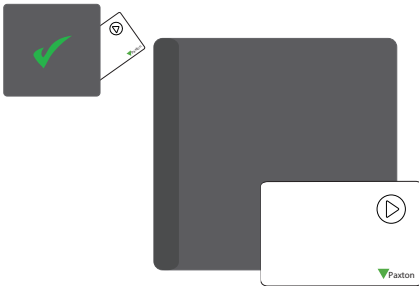
6



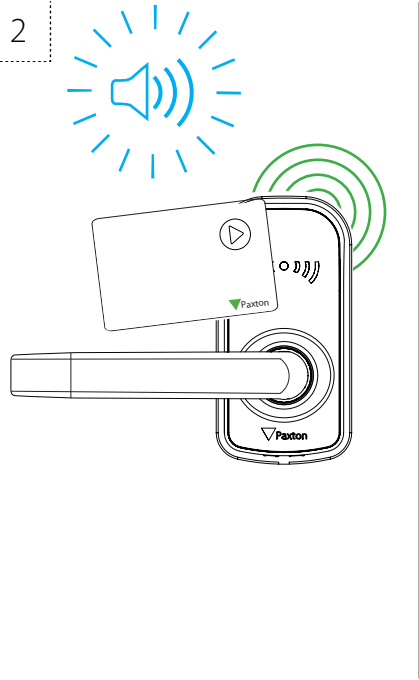
Standalone

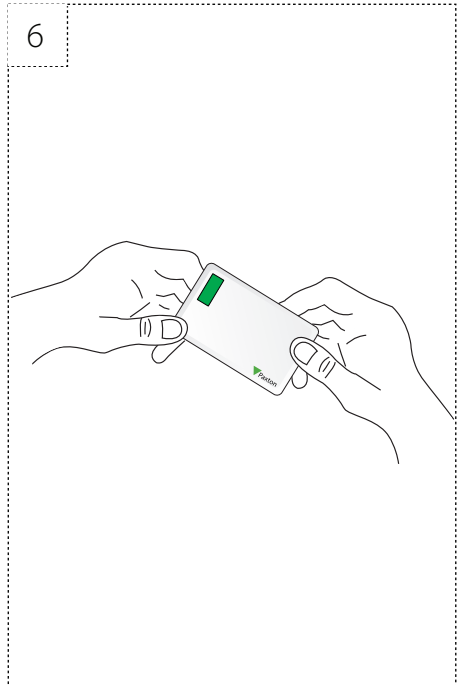
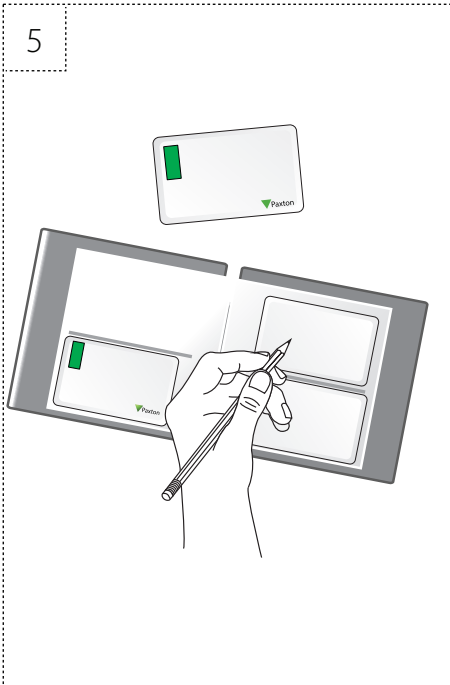
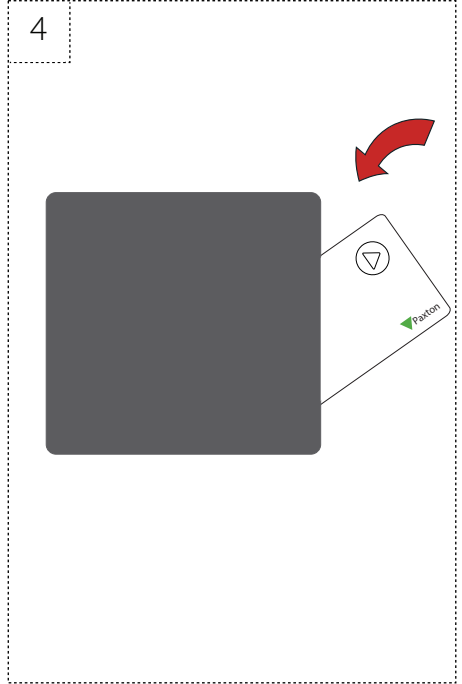
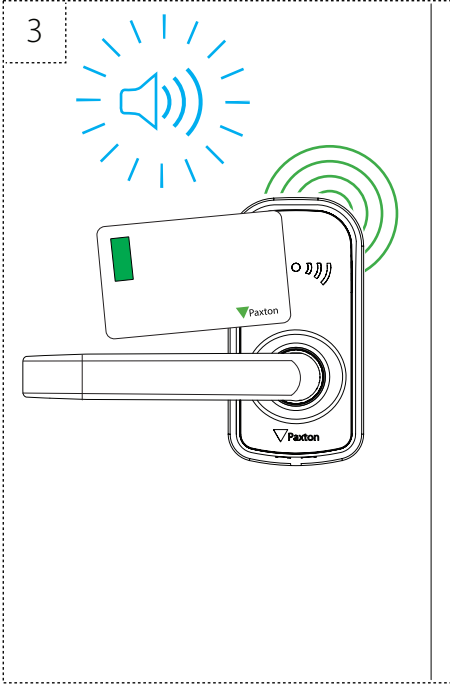


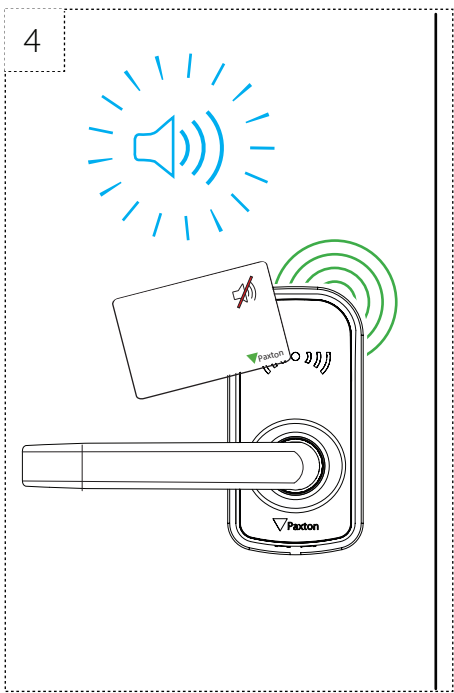
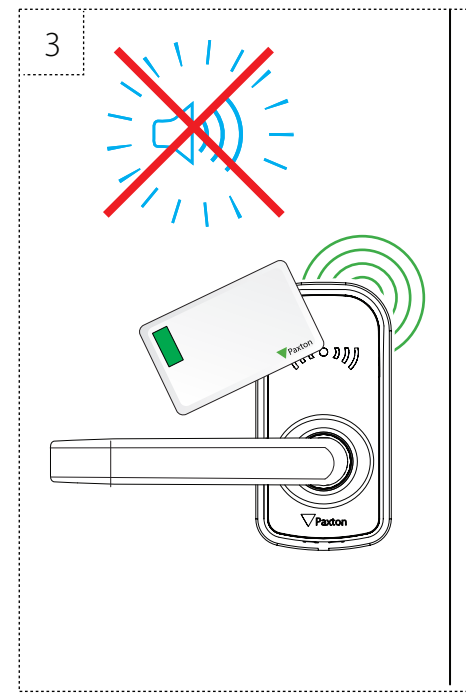
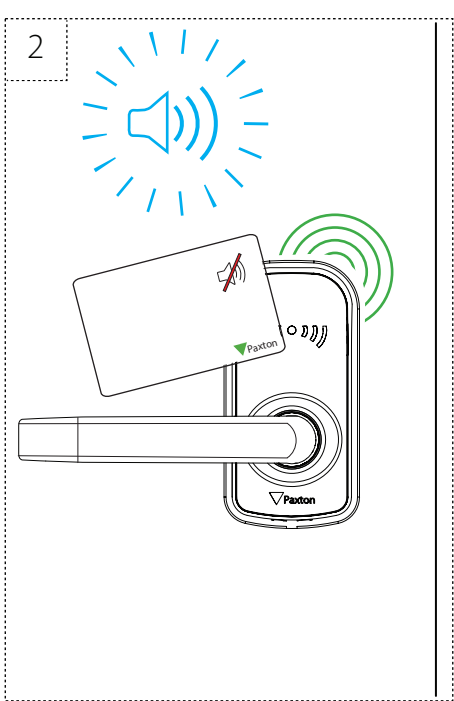
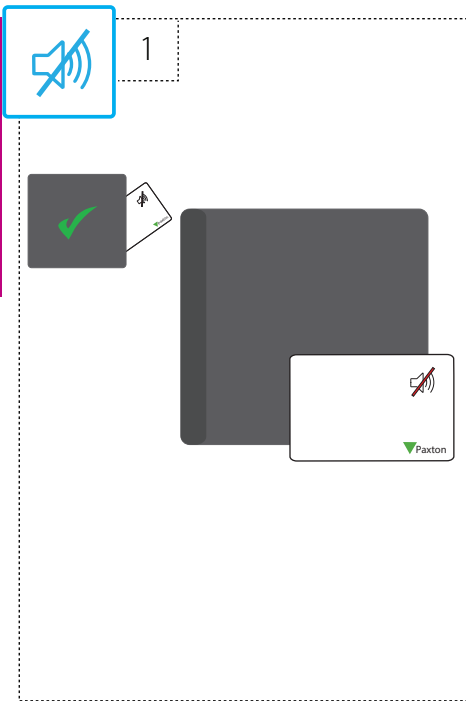
1

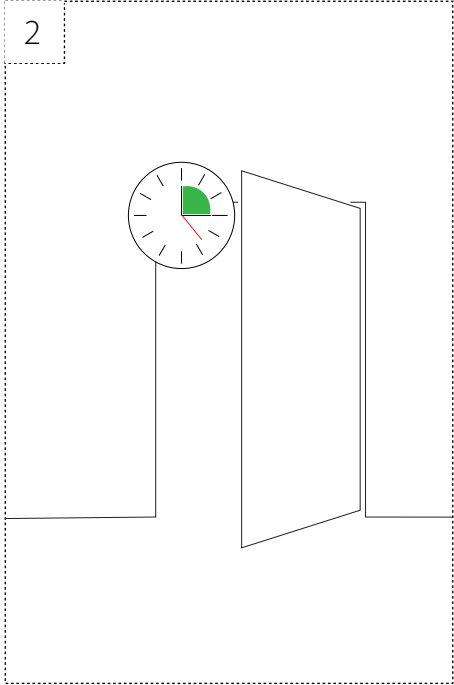
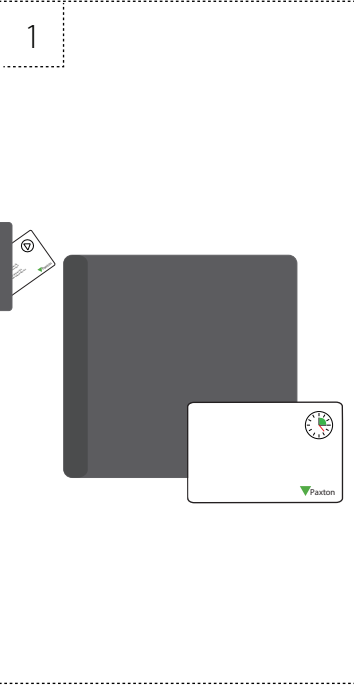
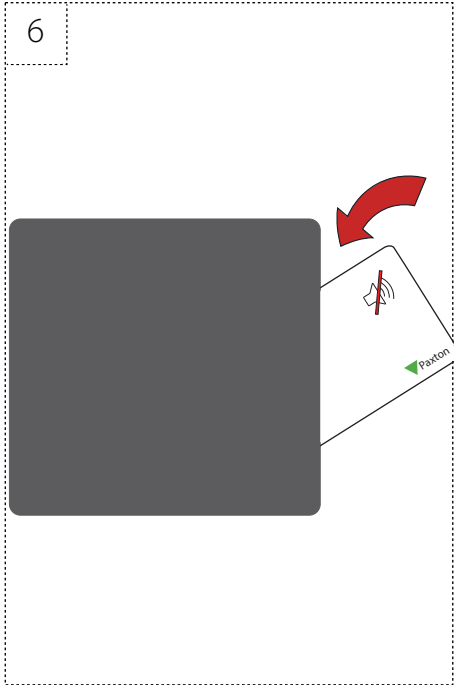
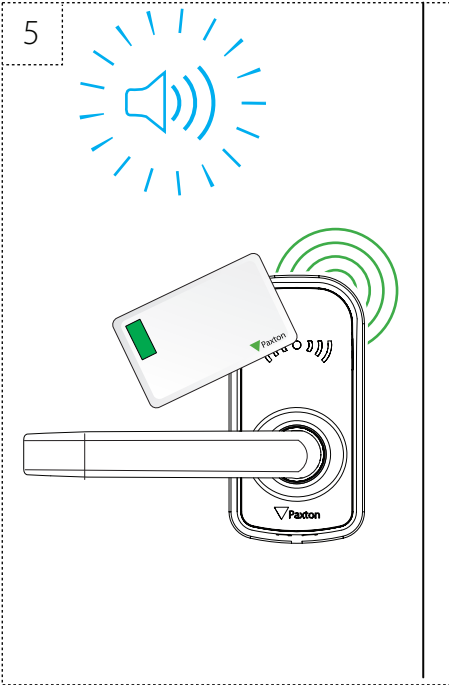


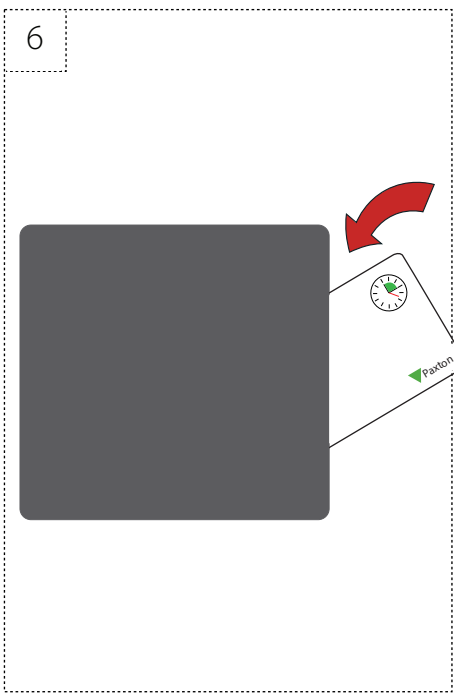
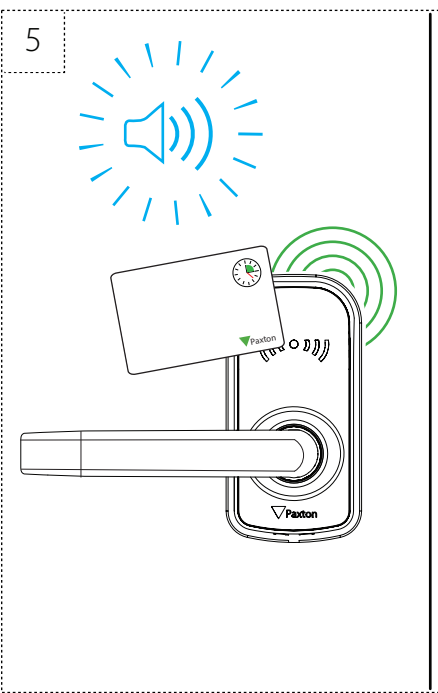
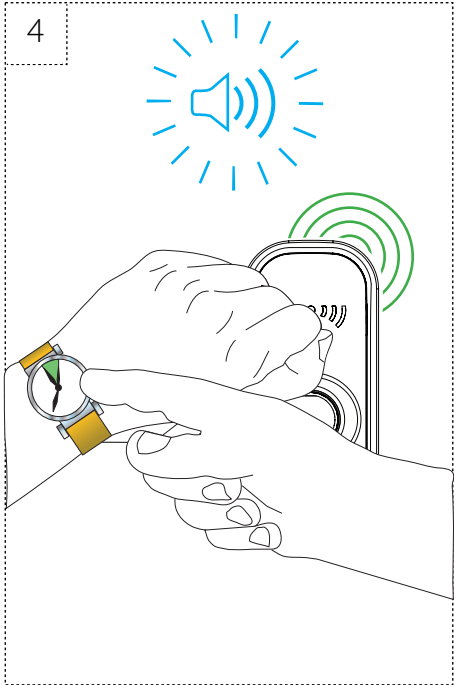
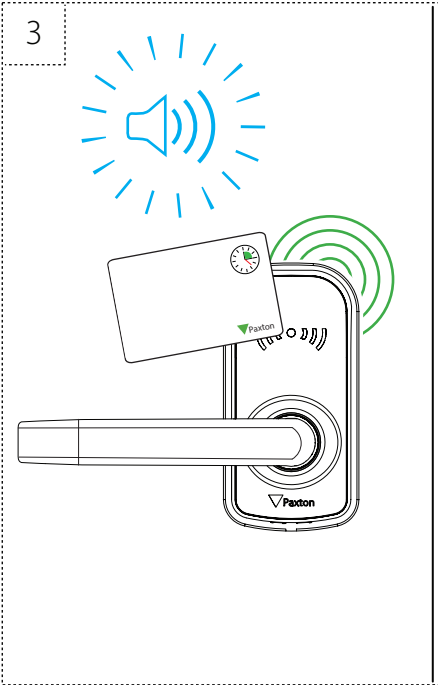
2

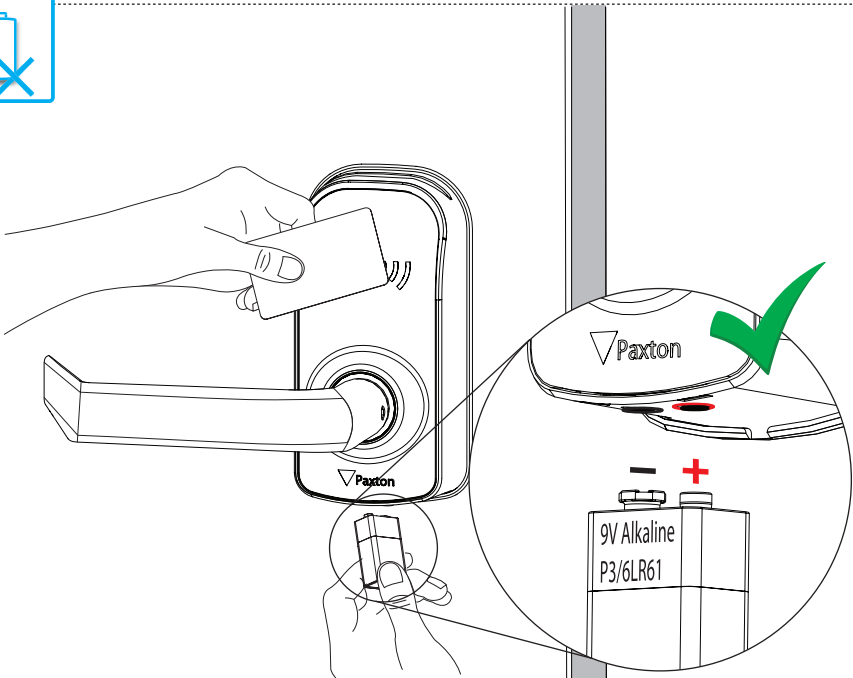
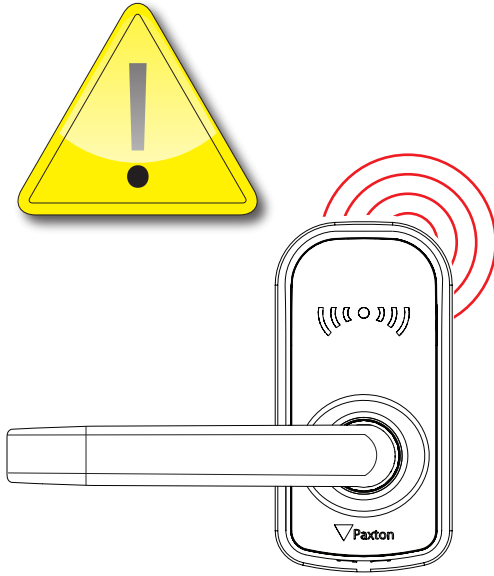






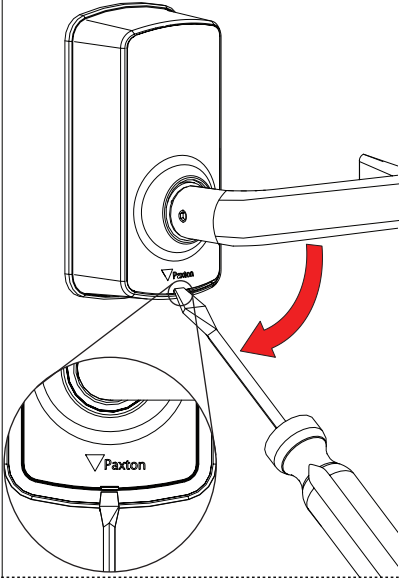




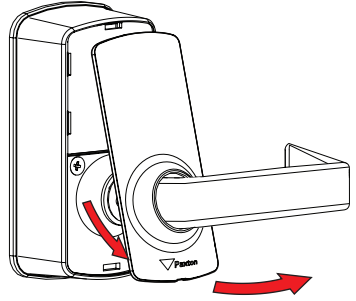




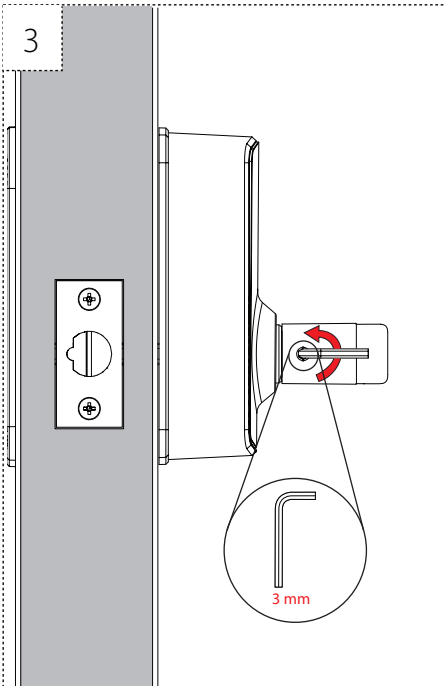
1



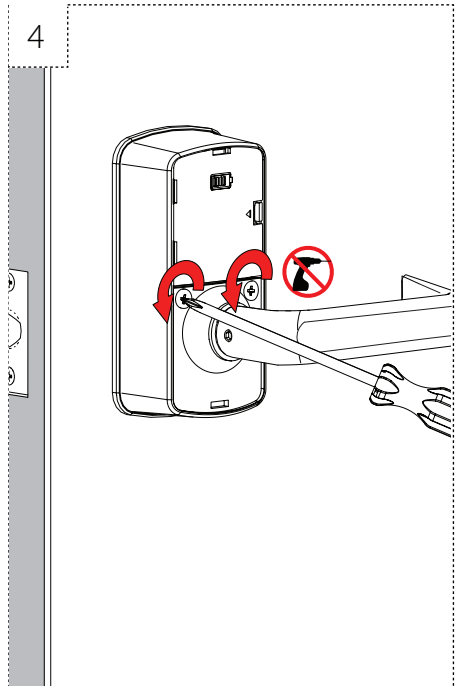
2



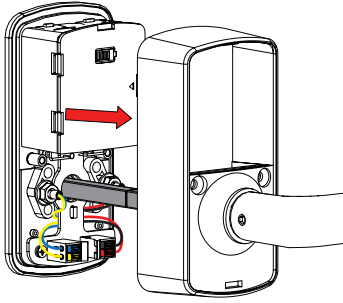
3



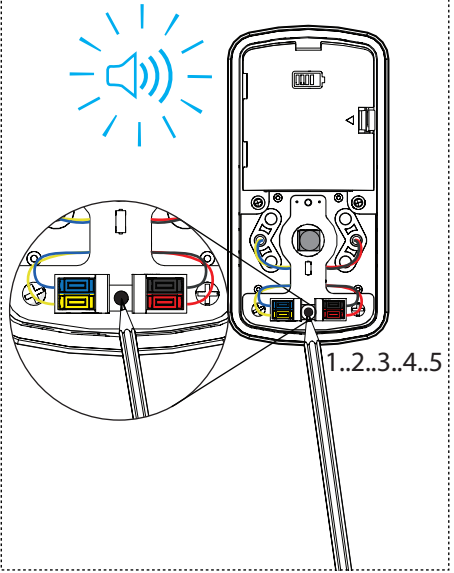
4



5



6







≤ 50000



IEEE 802.15.4
Bluetooth[®]
low energy technology



+32°F - +120°F
-0°C - +49°C



≤ 10 mm



4 x AA Alkaline



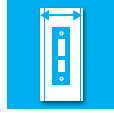
FCC / ISED
UL 294



10 ft - 50 ft
3m - 15m



85 ±5%



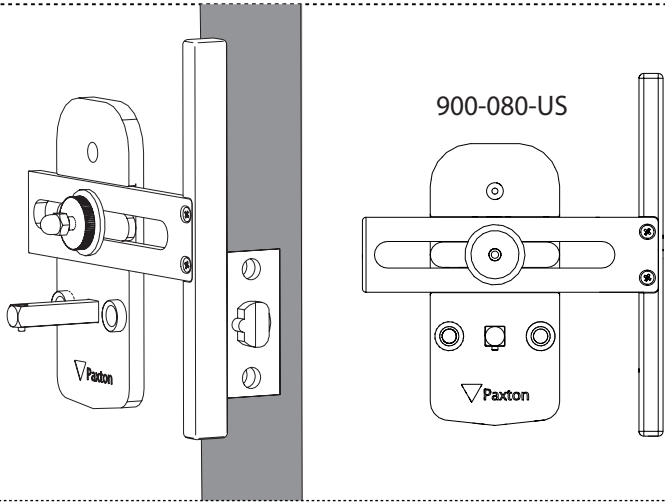
1-3/8" - 2-1/4"
35 - 57 mm



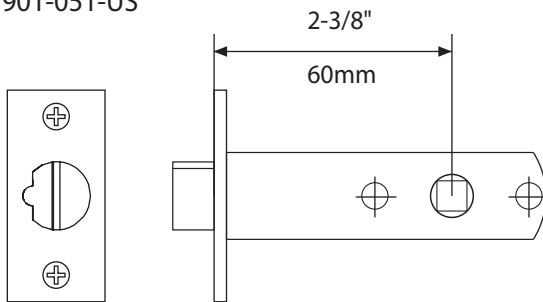
6V
800mA



13.56 MHz
125 KHz

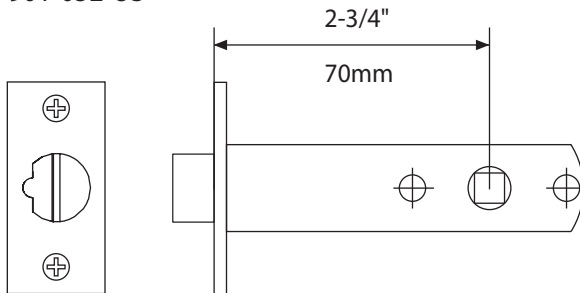


901-051-US



1:2

901-052-US



1:2



+44 (0)1273 811011
support@paxton.co.uk
paxton.support



877.438.7298
supportUS@paxton-access.com
usapaxton.support



+31 (0)76 3333 999
support@paxton-benelux.com
paxton.benelux.support



+32 (0) 78485147
support@paxton-benelux.com
paxton.benelux.support



+49 211 8694 2200
verkauf@paxton-gmbh.de
paxton.gmbh.support



+33 (0)1 57 32 93 56
support@paxtonaccess.fr
paxton.support



+27 (0) 21 4276691
support@paxtonaccess.co.za
paxton.support



8000 3570 3783
support@paxtonaccess.ae
paxton.support



+52 55 5351 3667
soporte@paxton-access.com
paxton.soporte



+57 1508 8198
soporte@paxton-access.com
paxton.soporte



+44 (0)1273 811011
support@paxton.co.uk
paxton.support

These products are not suitable for retail sale. All warranties are invalid if these products are not installed by a competent person.

Parts of this product are Copyright (c) 2013-2015 Atmel Corporation. All rights reserved. Redistribution and use in source and binary forms, with or without modification, are permitted provided that the following conditions are met:

1. Redistributions of source code must retain the above copyright notice, this list of conditions and the following disclaimer.
2. Redistributions in binary form must reproduce the above copyright notice, this list of conditions and the following disclaimer in the documentation and/or other materials provided with the distribution.
3. The name of Atmel may not be used to endorse or promote products derived from this software without specific prior written permission.
4. This software may only be redistributed and used in connection with an Atmel microcontroller product.

THIS SOFTWARE IS PROVIDED BY ATMEL "AS IS" AND ANY EXPRESS OR IMPLIED WARRANTIES, INCLUDING, BUT NOT LIMITED TO, THE IMPLIED WARRANTIES OF MERCHANTABILITY, FITNESS FOR A PARTICULAR PURPOSE AND NON-INFRINGEMENT ARE EXPRESSLY AND SPECIFICALLY DISCLAIMED. IN NO EVENT SHALL ATMEL BE LIABLE FOR ANY DIRECT, INDIRECT, INCIDENTAL, SPECIAL, EXEMPLARY, OR CONSEQUENTIAL DAMAGES (INCLUDING, BUT NOT LIMITED TO, PROCUREMENT OF SUBSTITUTE GOODS OR SERVICES; LOSS OF USE, DATA, OR PROFITS; OR BUSINESS INTERRUPTION) HOWEVER CAUSED AND ON ANY THEORY OF LIABILITY, WHETHER IN CONTRACT, STRICT LIABILITY, OR TORT (INCLUDING NEGLIGENCE OR OTHERWISE) ARISING IN ANY WAY OUT OF THE USE OF THIS SOFTWARE, EVEN IF ADVISED OF THE POSSIBILITY OF SUCH DAMAGE.

UL 294 performance level table:

Feature	Level
Destructive Attack	1
Line Security	1
Endurance	4
Standby Power	1
Single Point Locking Device with Key Locks	1

Product compliance and limitations

Wiring methods shall be in accordance with the National Electrical Code (ANSI/NFPA70), local codes, and the authorities having jurisdiction.

This device complies with Industry Canada licence-exempt RSS standard(s). Operation is subject to the following two conditions: (1) this device may not cause interference, and (2) this device must accept any interference, including interference that may cause undesired operation of the device.

This device complies with Part 15 of the FCC Rules. Operation is subject to the following two conditions:

(1) this device may not cause harmful interference, and (2) this device must accept any interference received, including interference that may cause undesired operation. Changes or modifications not expressly approved by the party responsible for compliance could void the user's authority to operate the equipment.

CAUTION RISK OF EXPLOSION IF BATTERY IS REPLACED BY AN INCORRECT TYPE. DISPOSE OF USED BATTERIES ACCORDING TO THE INSTRUCTIONS.

UL 294 tableau de niveau de performance:

Fonctionnalités	Niveau
Attaque destructive	1
Sécurité des lignes de communication	1
Endurance	4
Alimentation de secours	1
Dispositif de verrouillage à point unique avec serrure à clé	1

Conformité et limitations du produit

Les méthodes de câblage doivent être en accord avec le code nation électrique (ANSI/NFPA70), codes locaux et les autorités ayant la juridiction.

Ce dispositif est conforme au(x) standards RSS de l'industrie Canadienne sans-licence. Le fonctionnement est soumis aux deux conditions suivantes : (1) ce dispositif ne doit pas créer d'interférences nuisibles et (2) ce dispositif doit accepter toute interférence reçue, y compris des interférences qui peuvent causer un fonctionnement non souhaité.

Ce dispositif est conforme à la section 15 du règlement de la FCC. Le fonctionnement est soumis aux deux conditions suivantes : (1) ce dispositif ne doit pas créer d'interférences nuisibles et (2) ce dispositif doit accepter toute interférence reçue, y compris des interférences qui peuvent causer un fonctionnement non souhaité. Tout changement ou modification non agréé par la partie responsable de la mise en conformité peut entraîner une interdiction d'utilisation de l'équipement.



<http://paxton.info/1606>



Made in the UK

